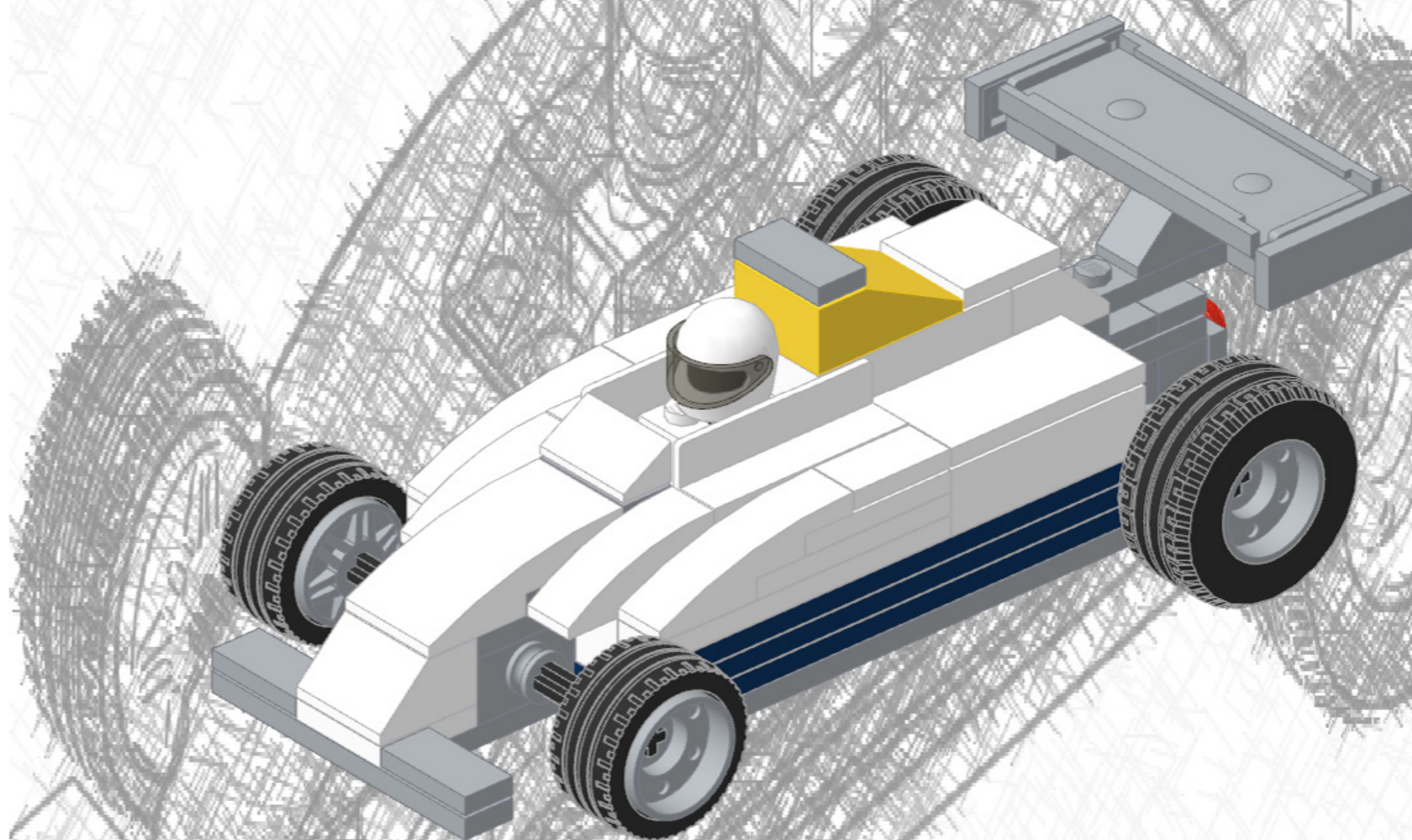



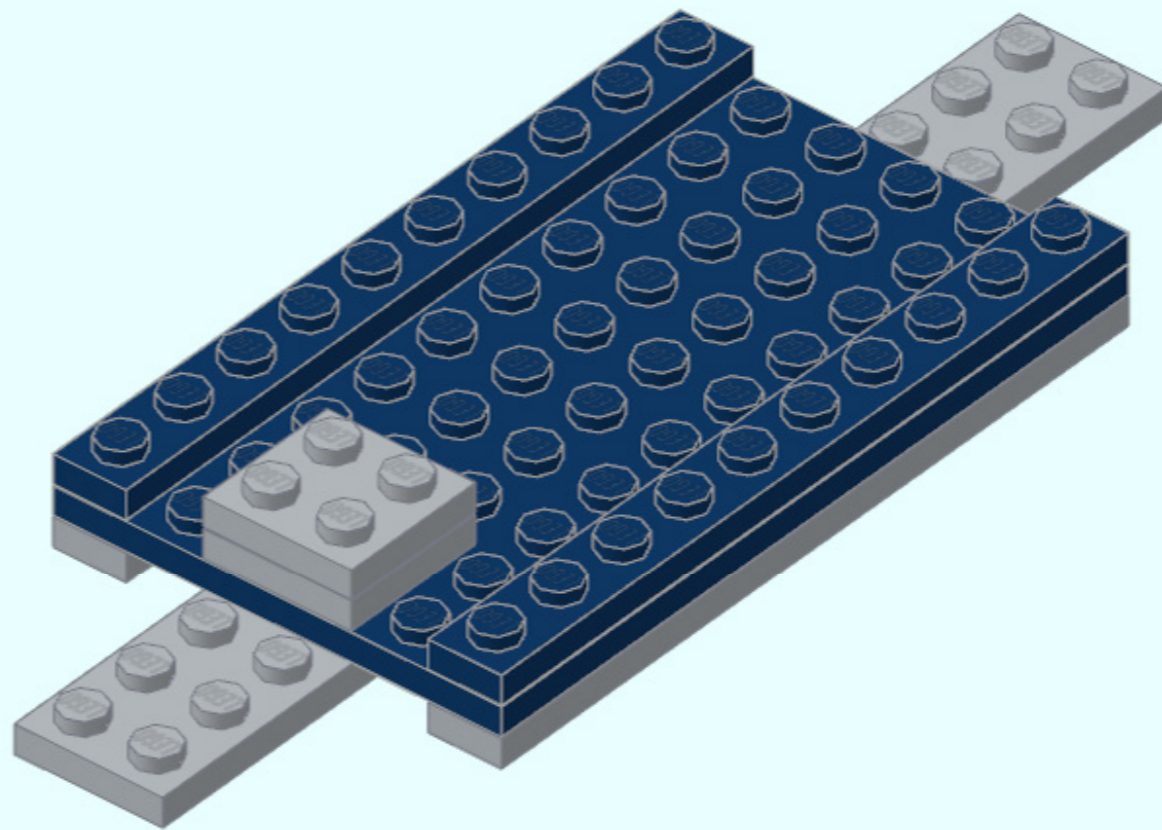
GREG998.COM

Building instructions for nice LEGO® original creations

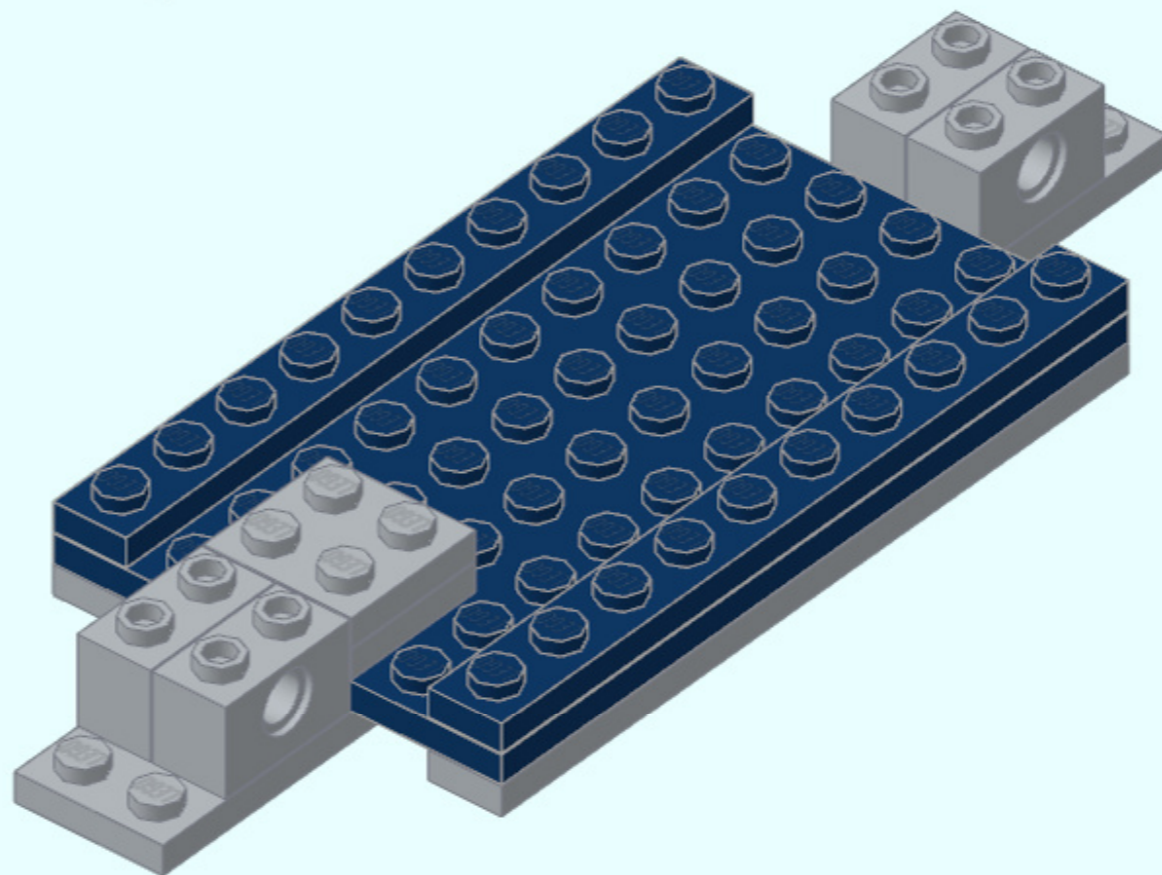
M821 mini *by Greg998*






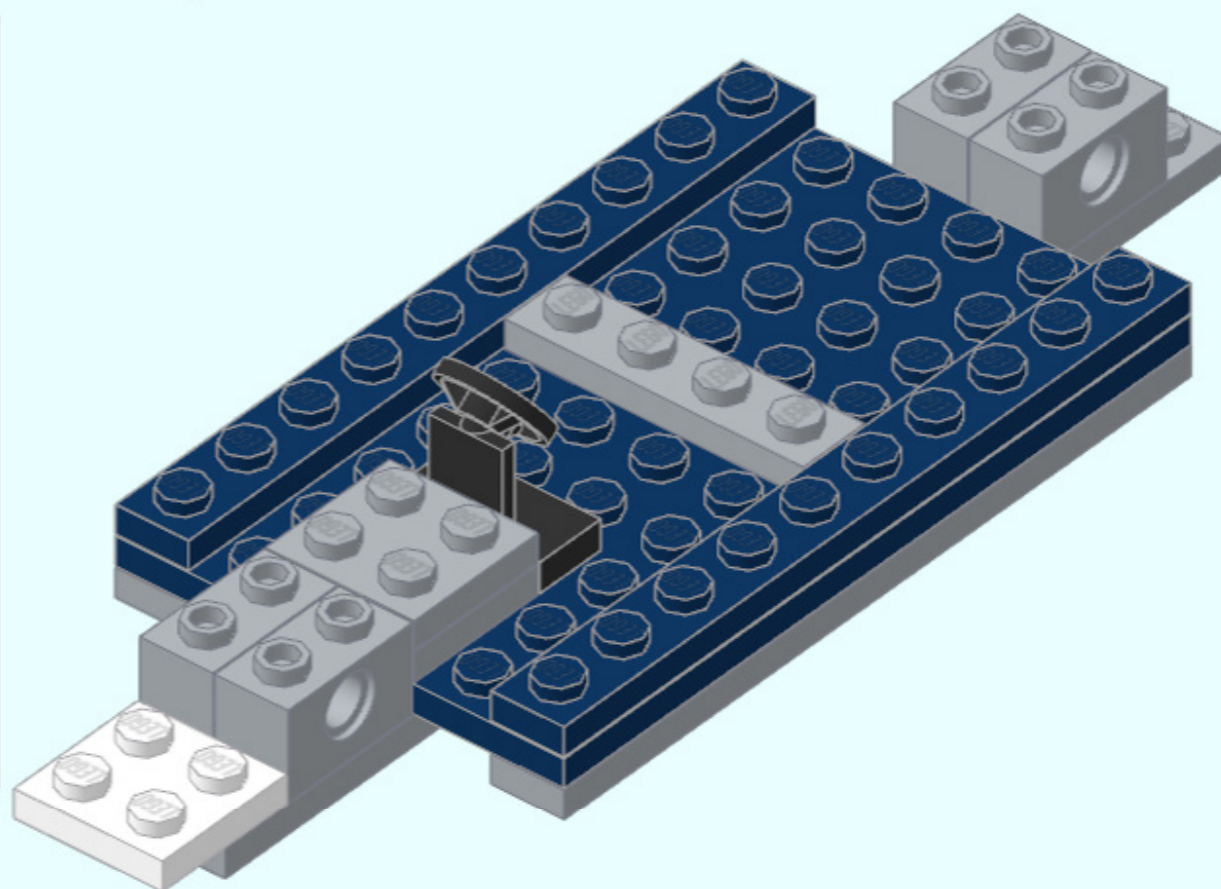
4  2x



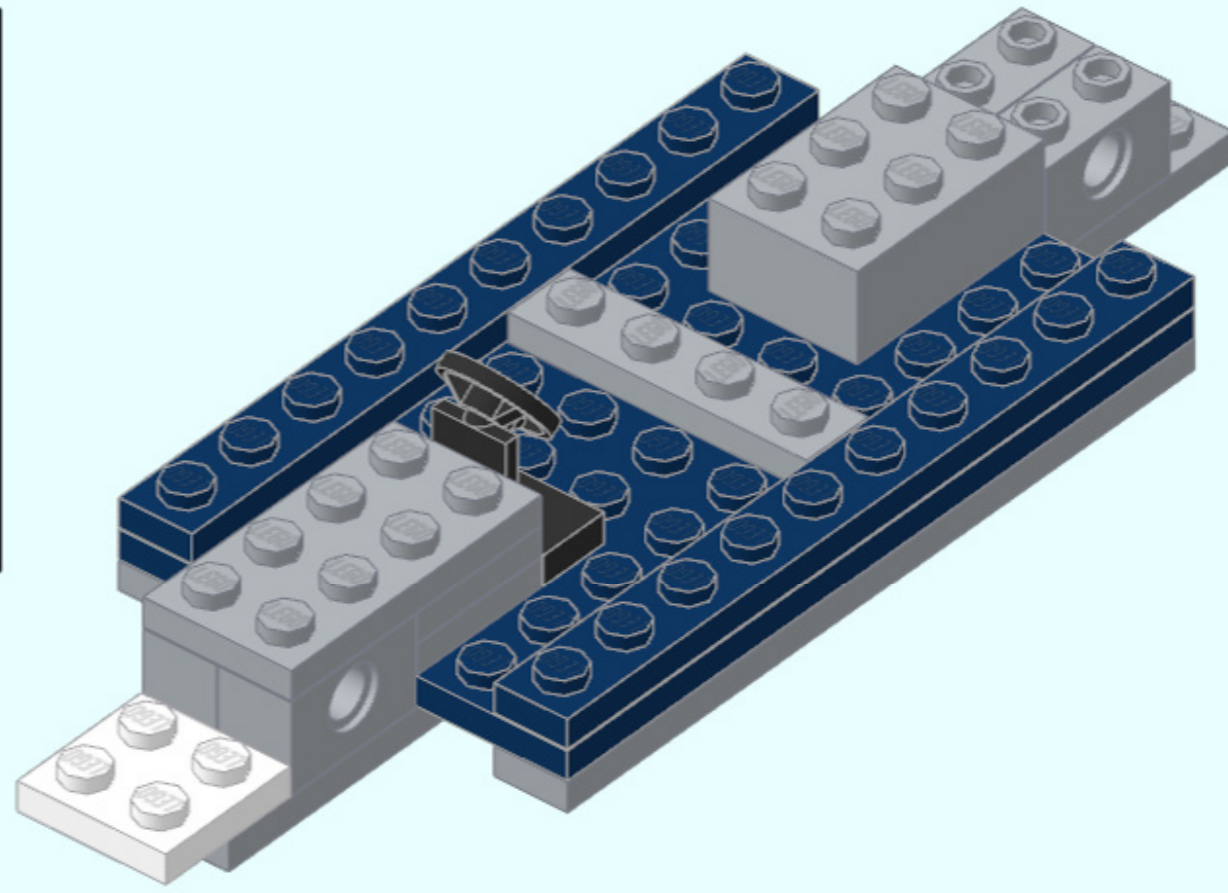
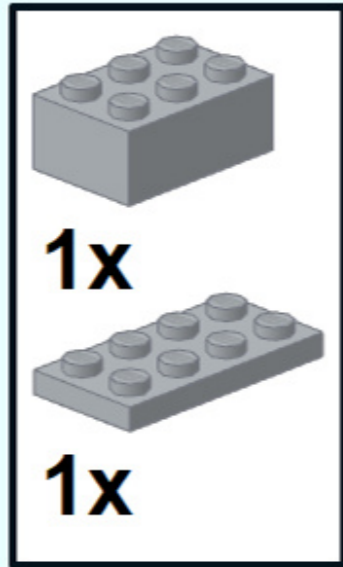
5  4x



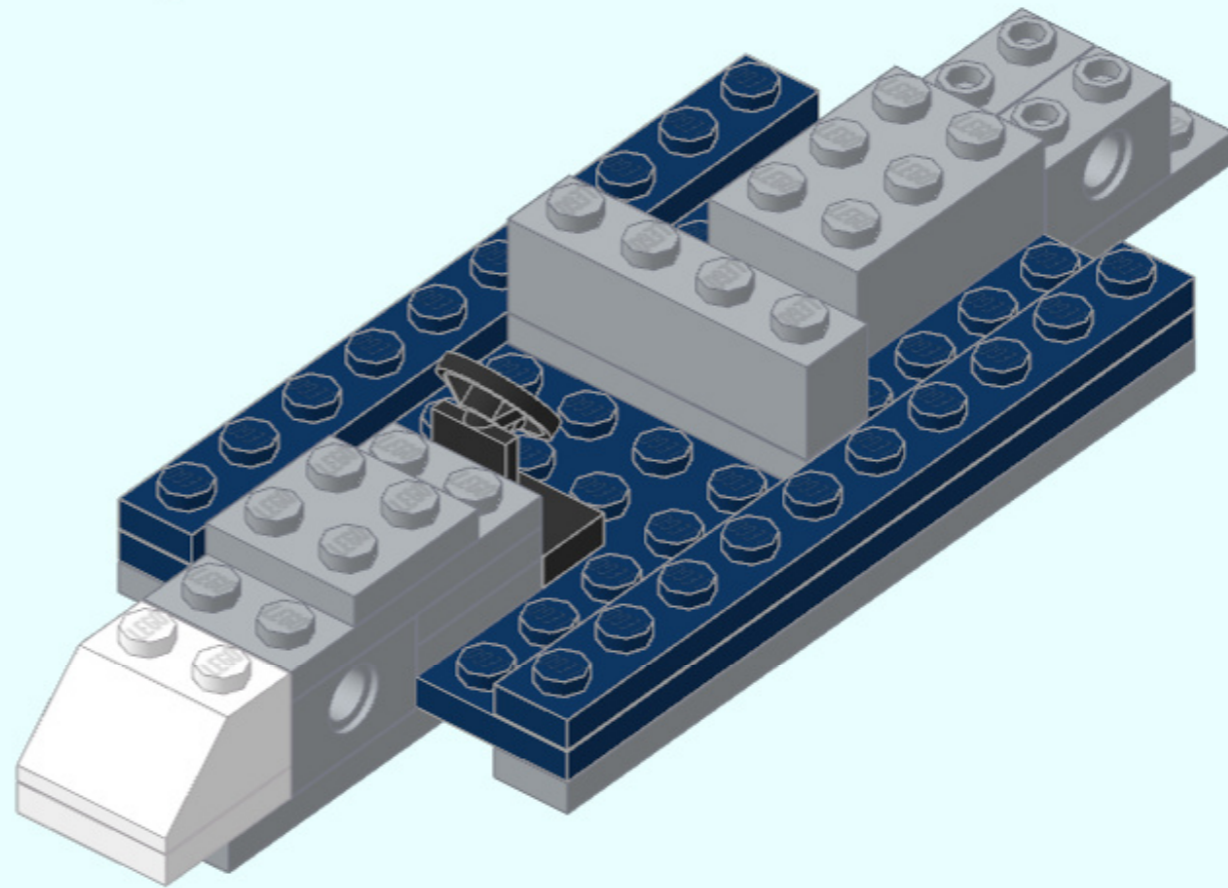
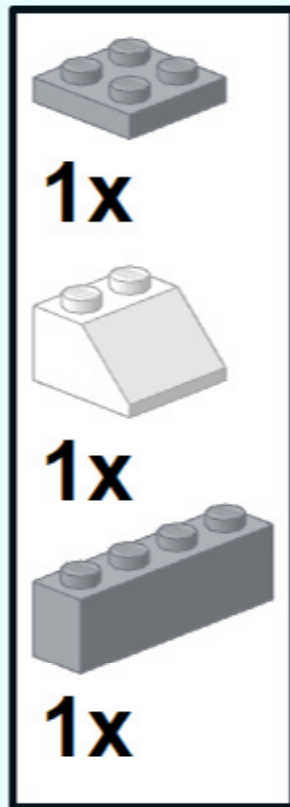
6  1x
 1x
 1x



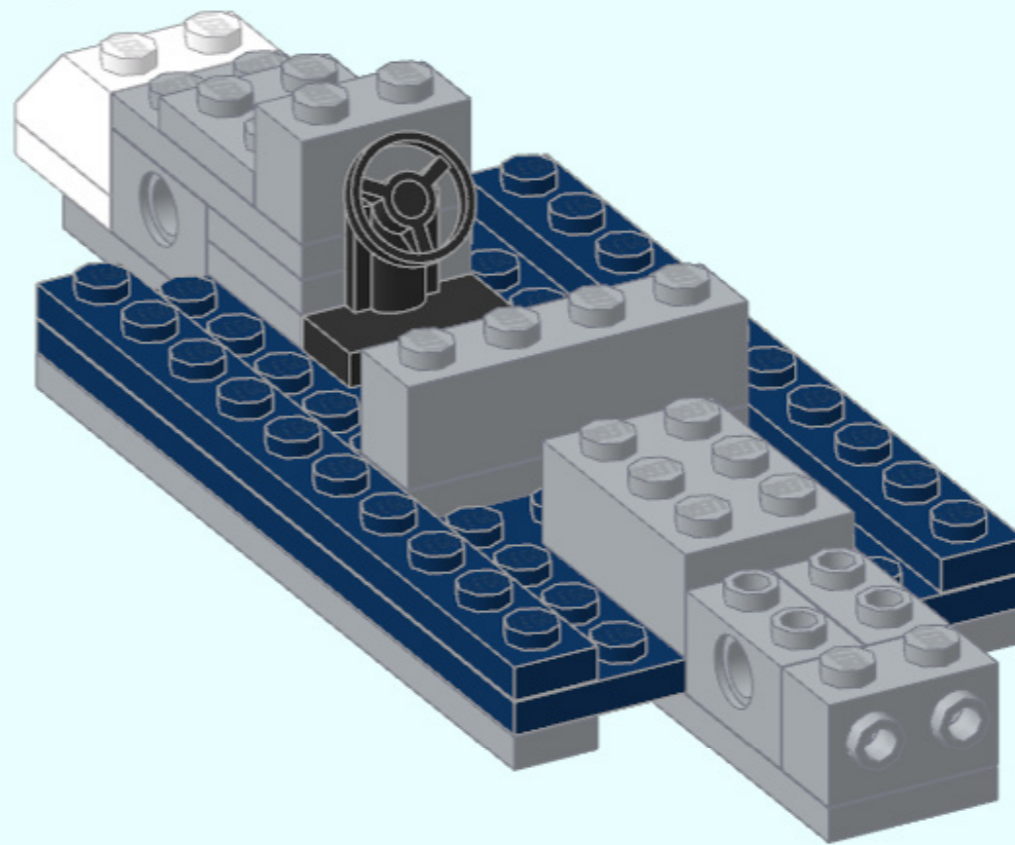
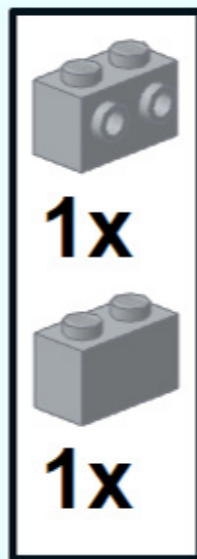
7




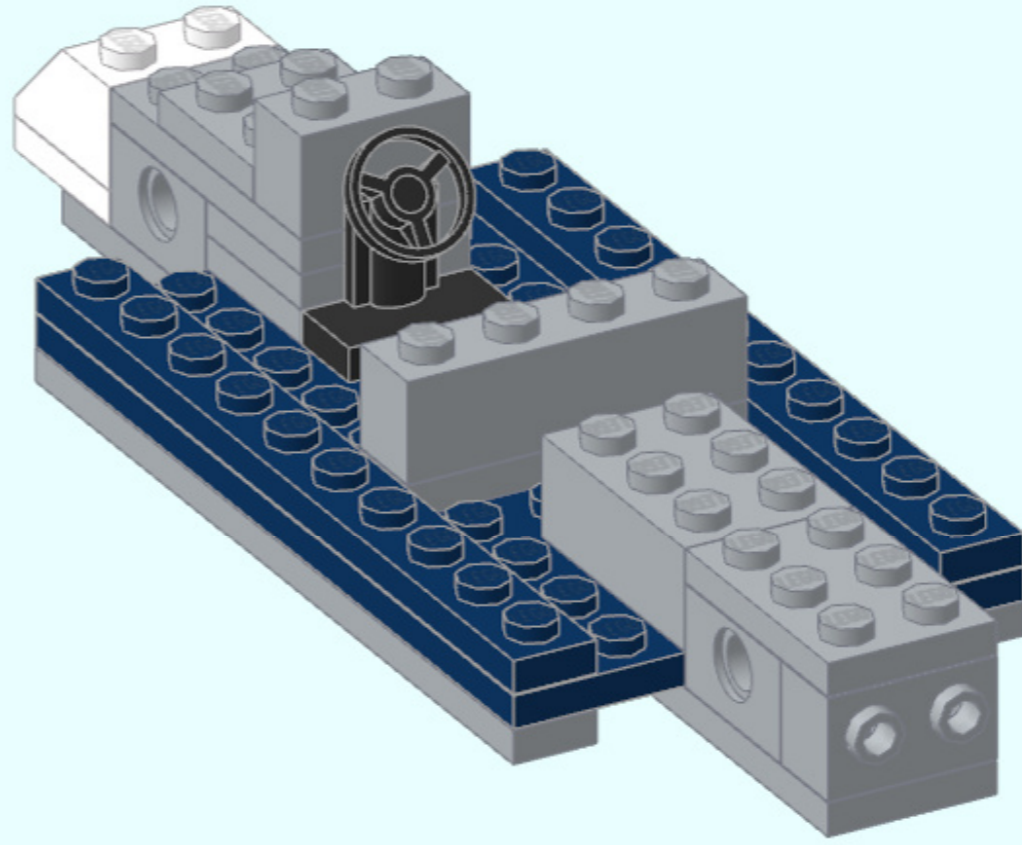
8





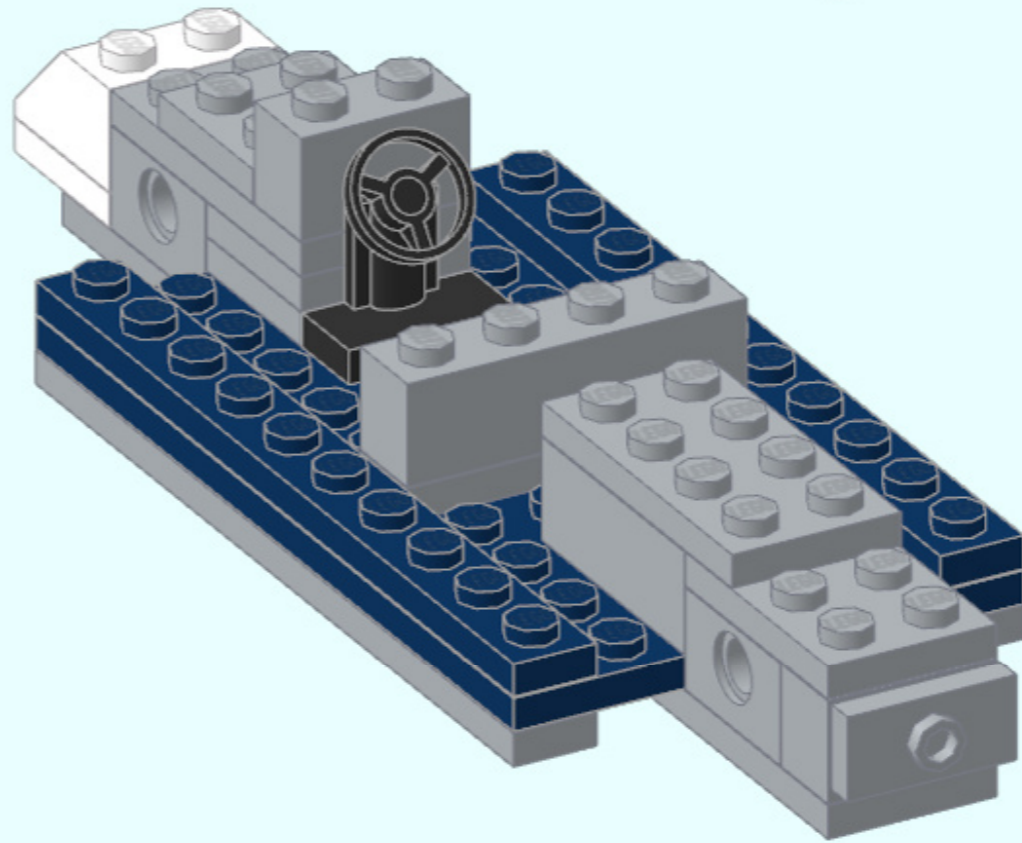
9

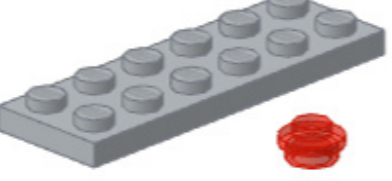



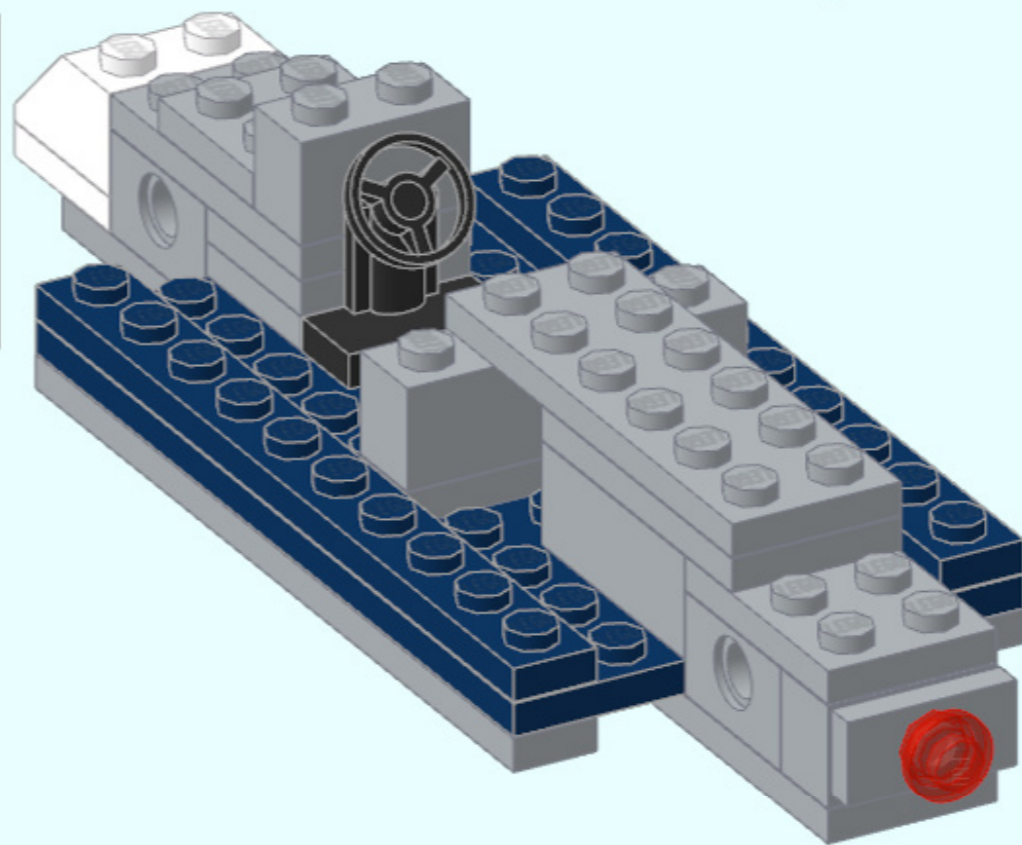
10 
1x

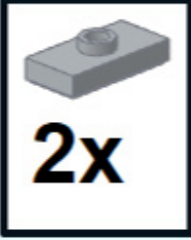


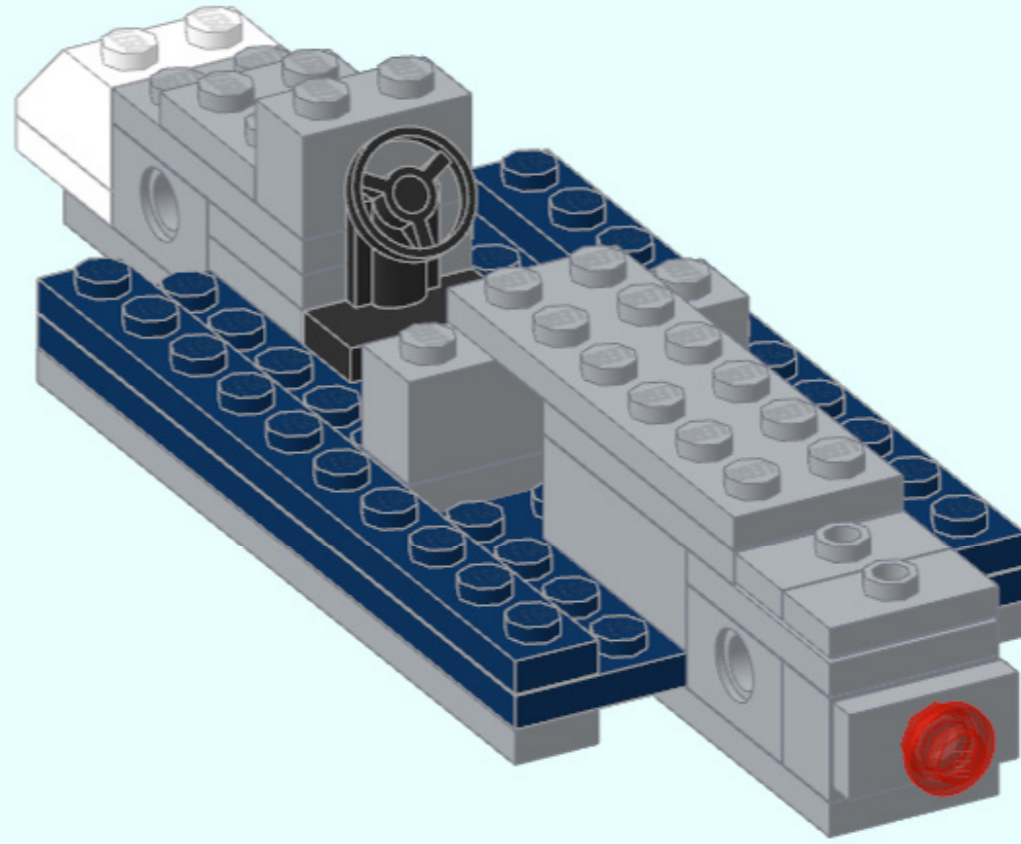
11 
1x

1x





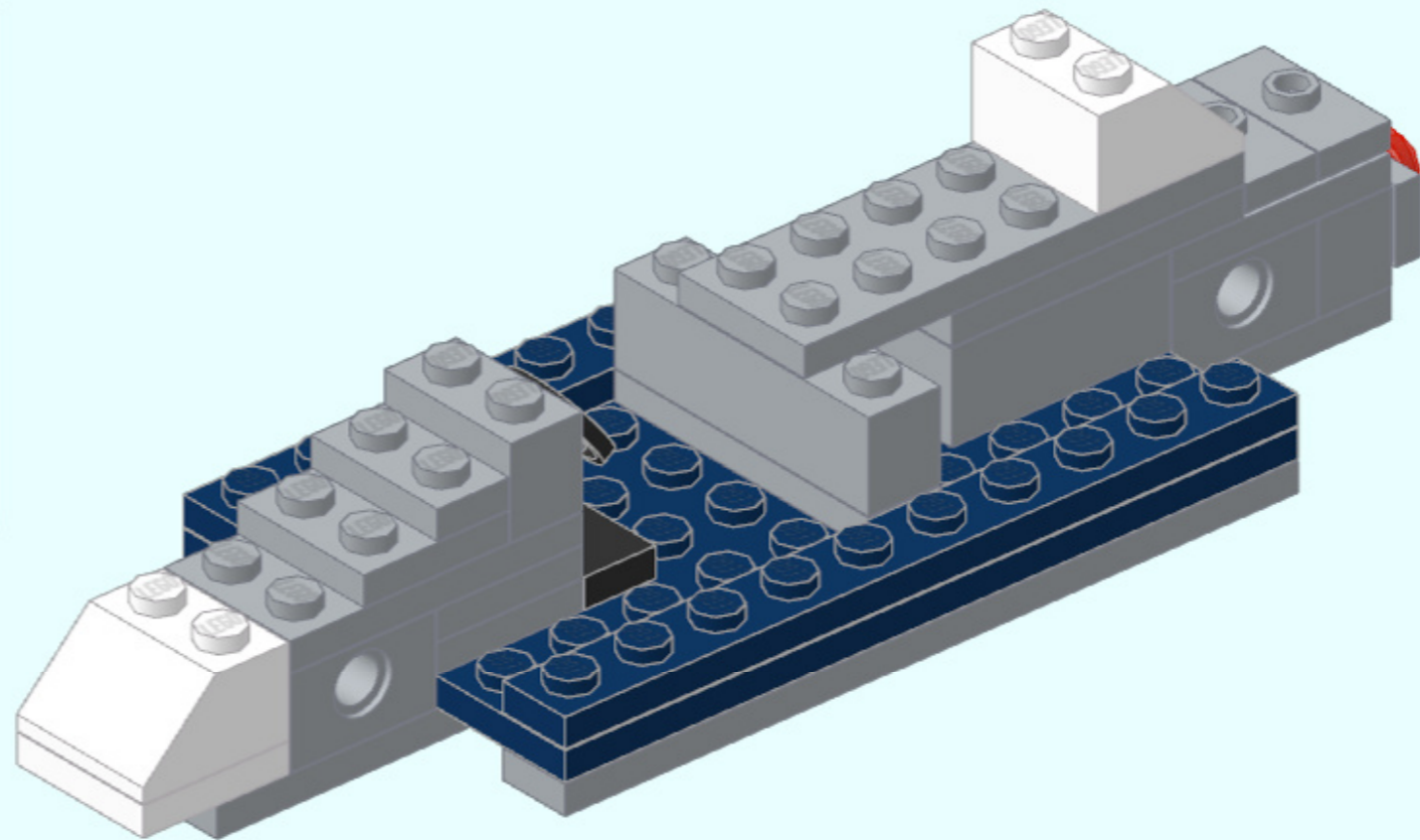
12 
1x 
1x




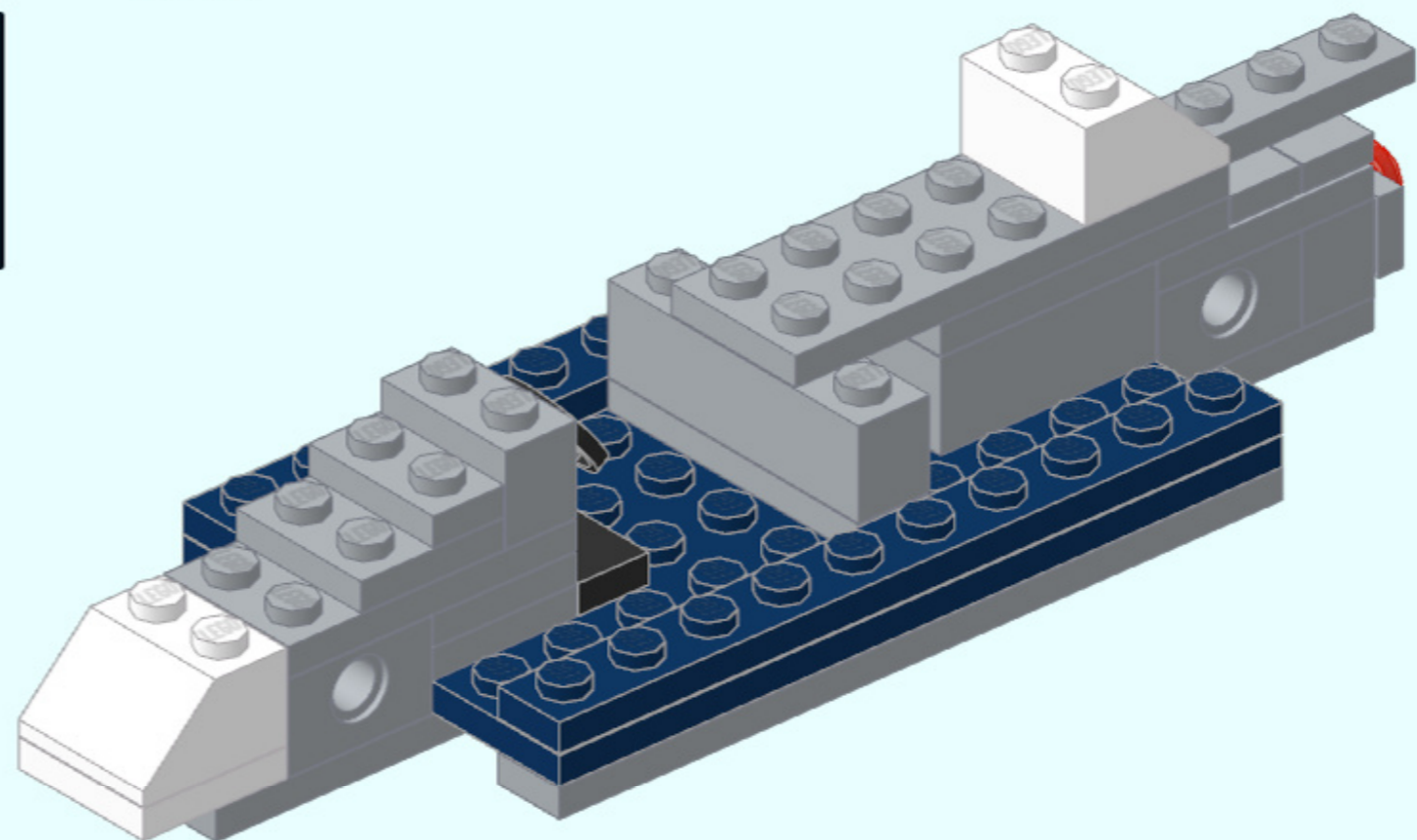
13  2x



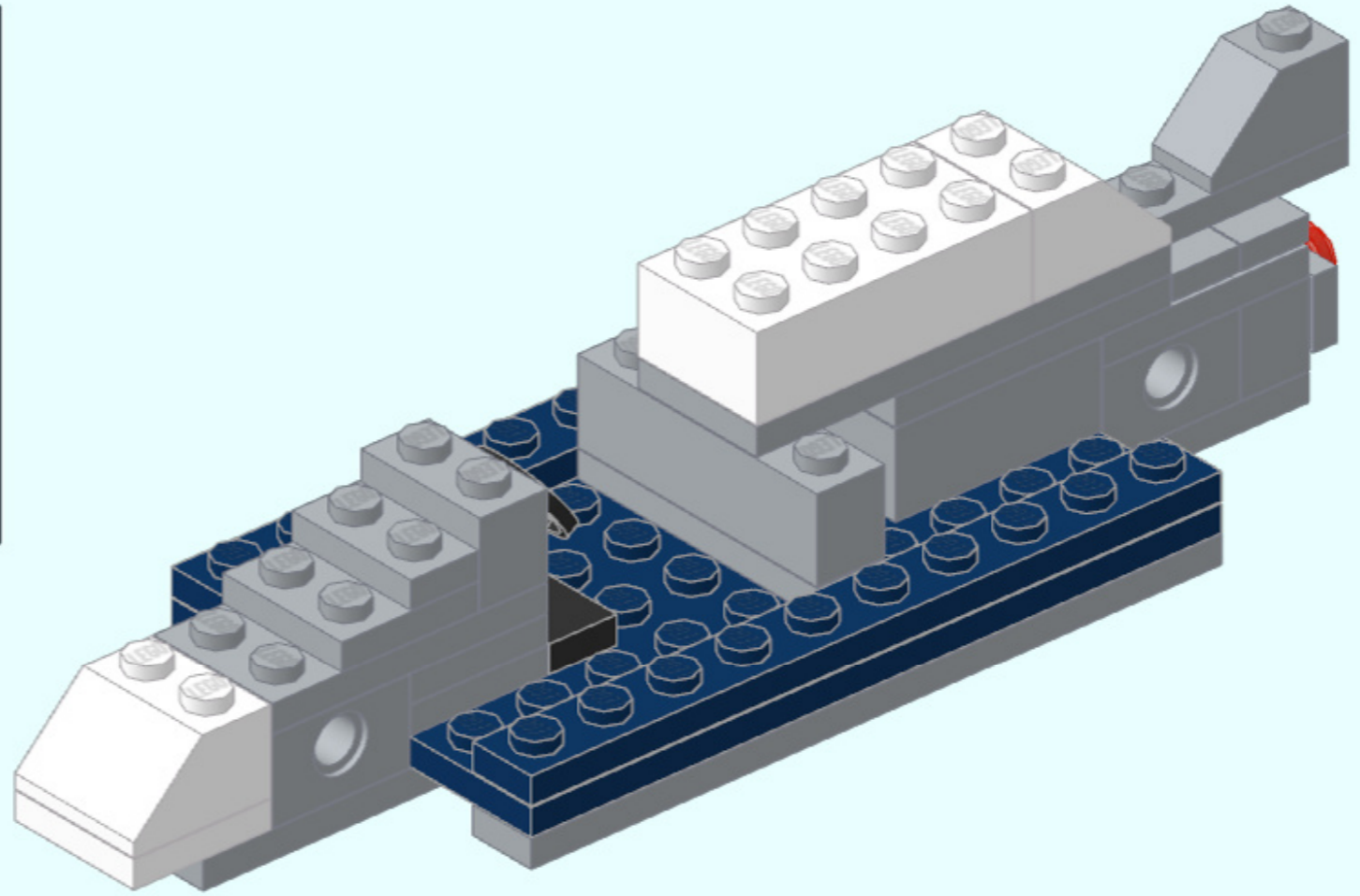
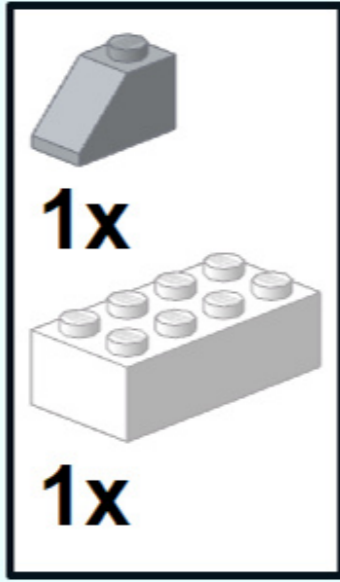
14  1x
 1x



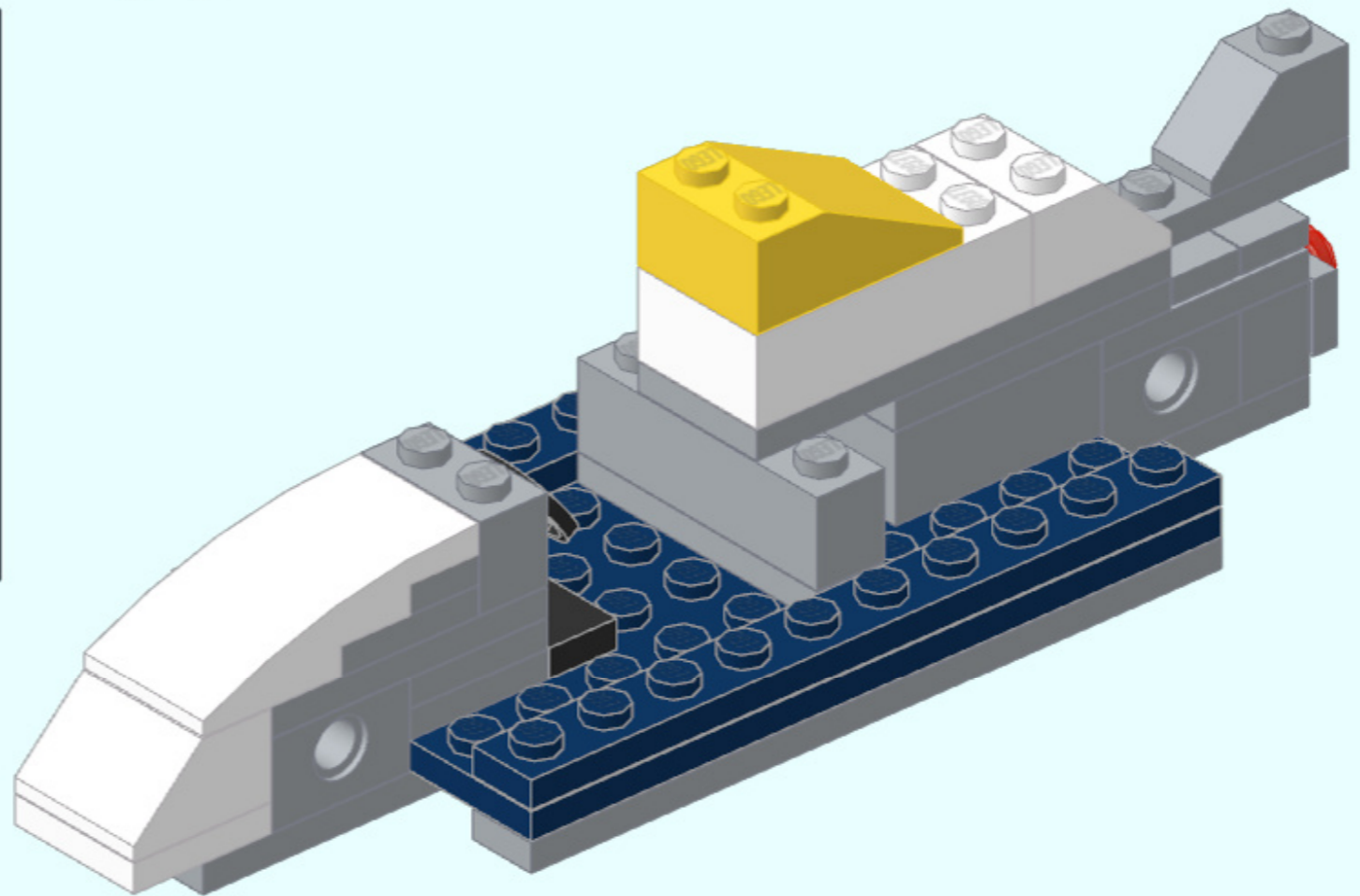
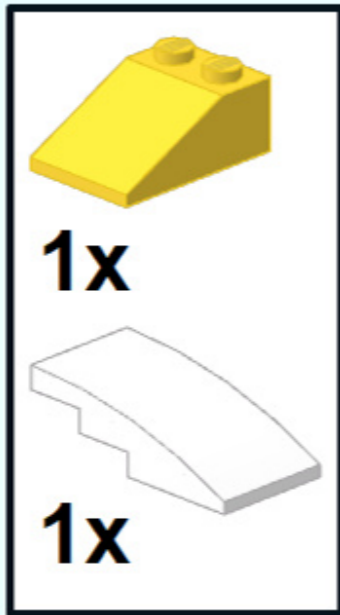
15  1x



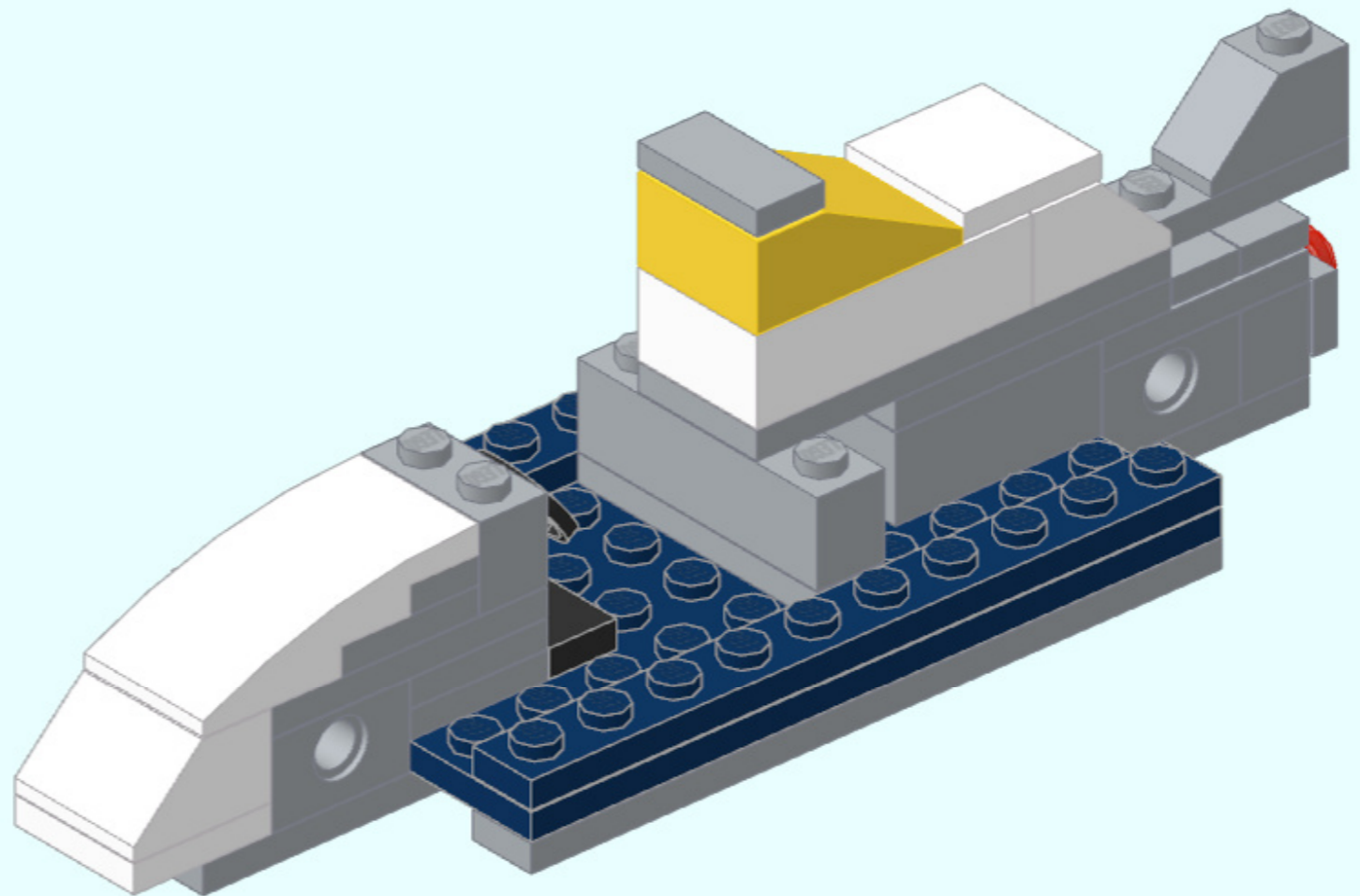
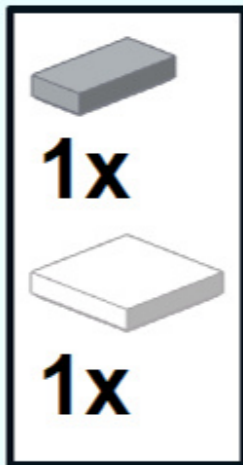
16



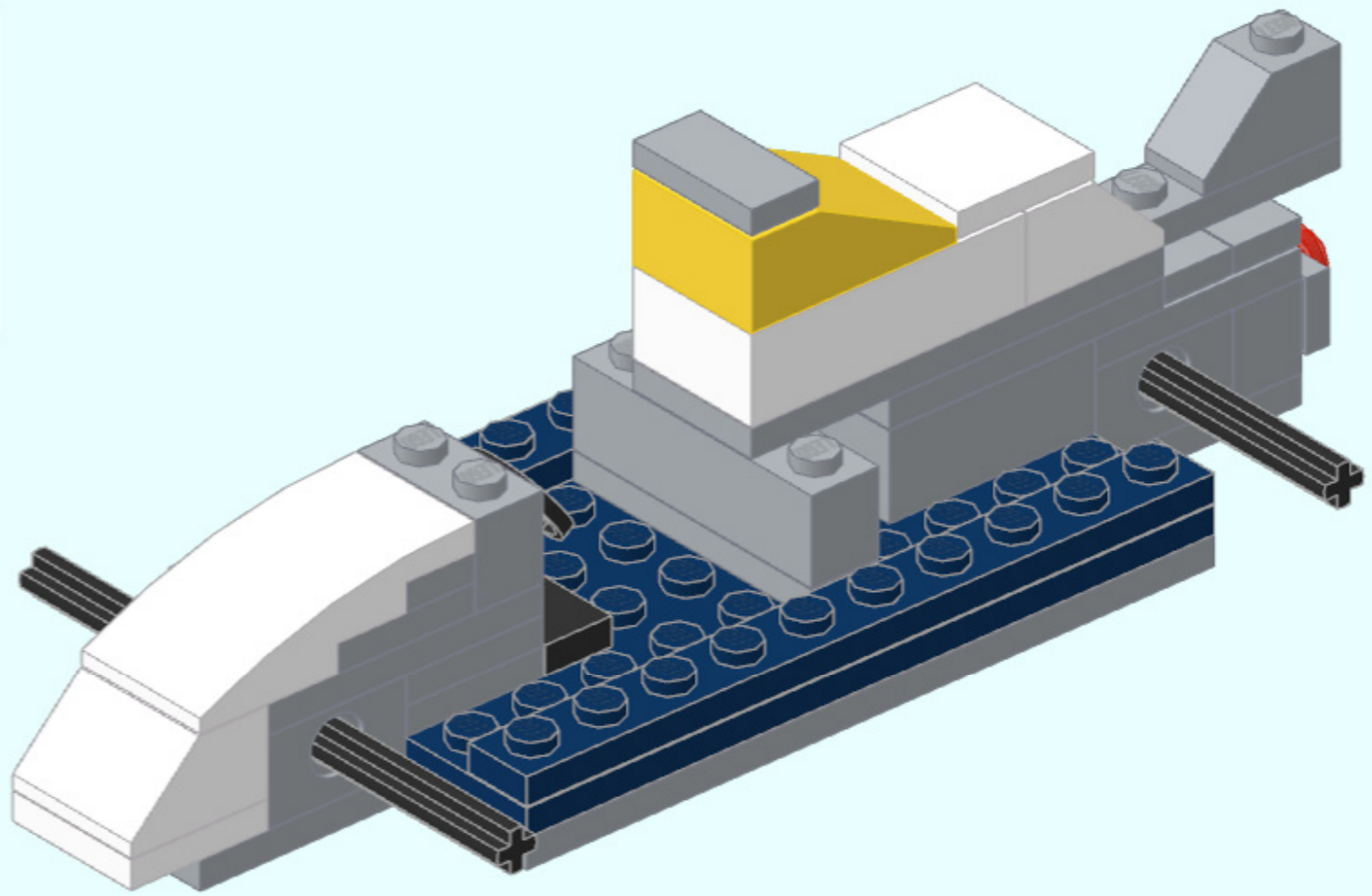
17



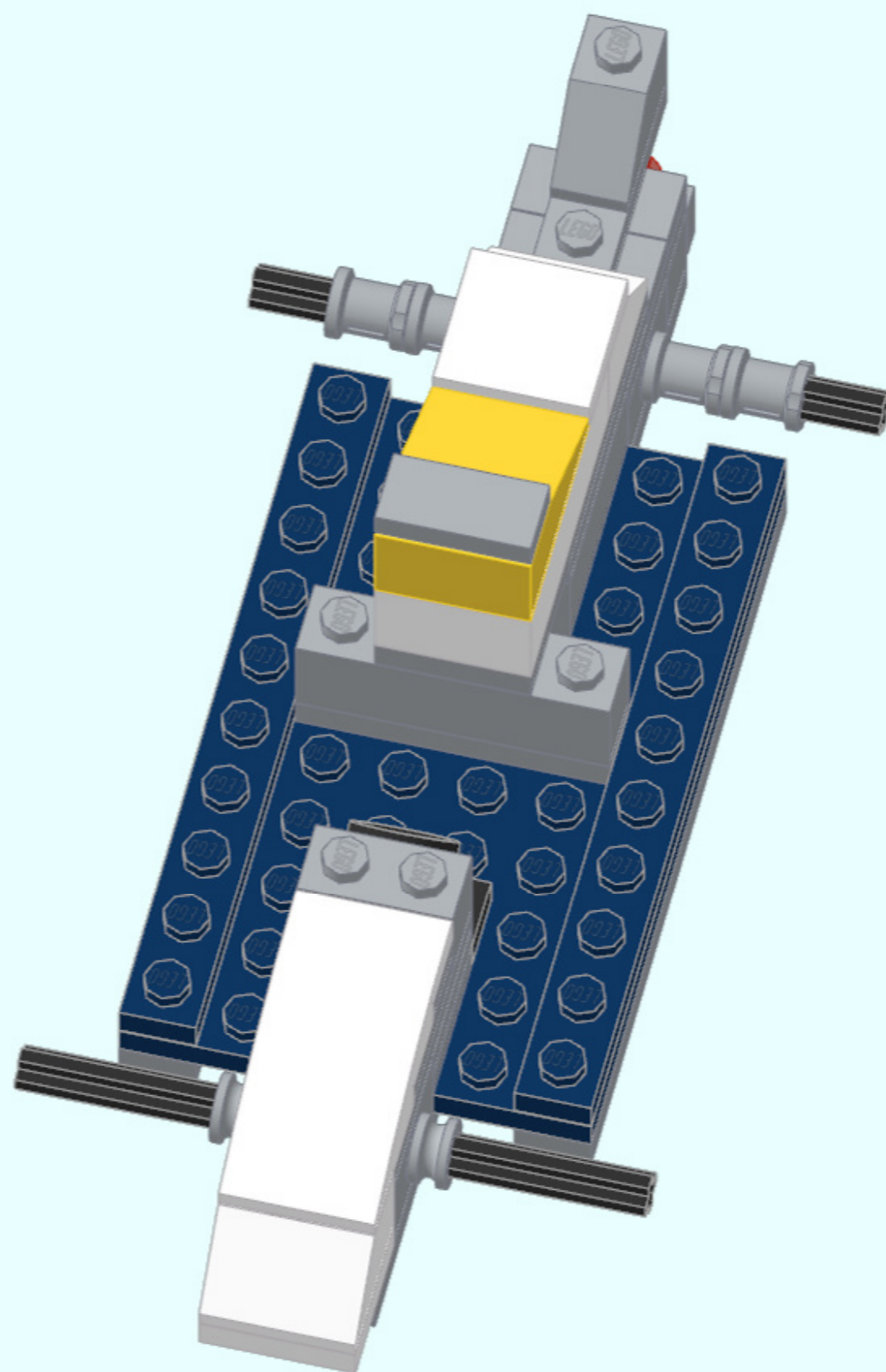
18



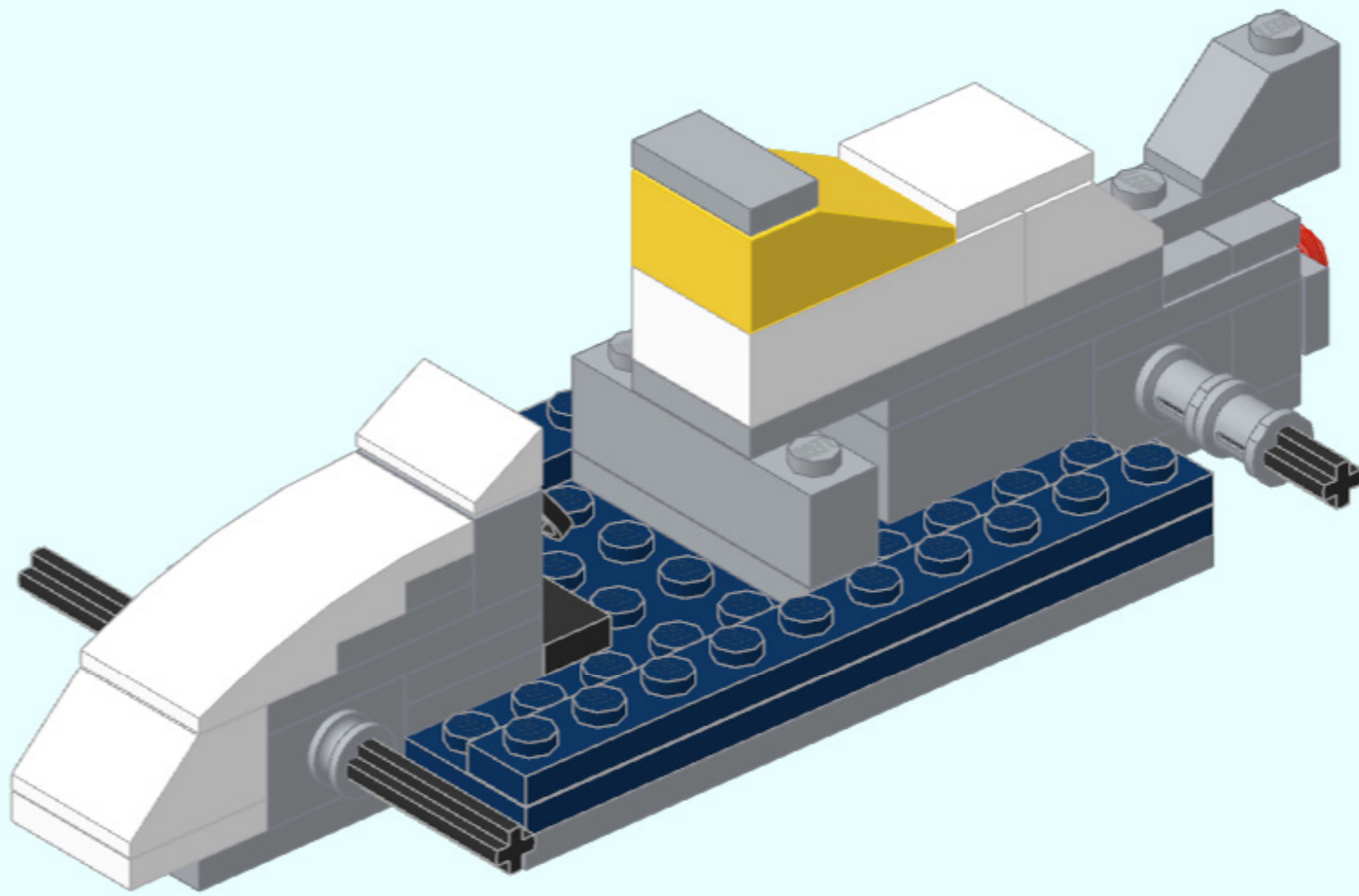
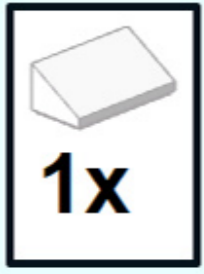
19

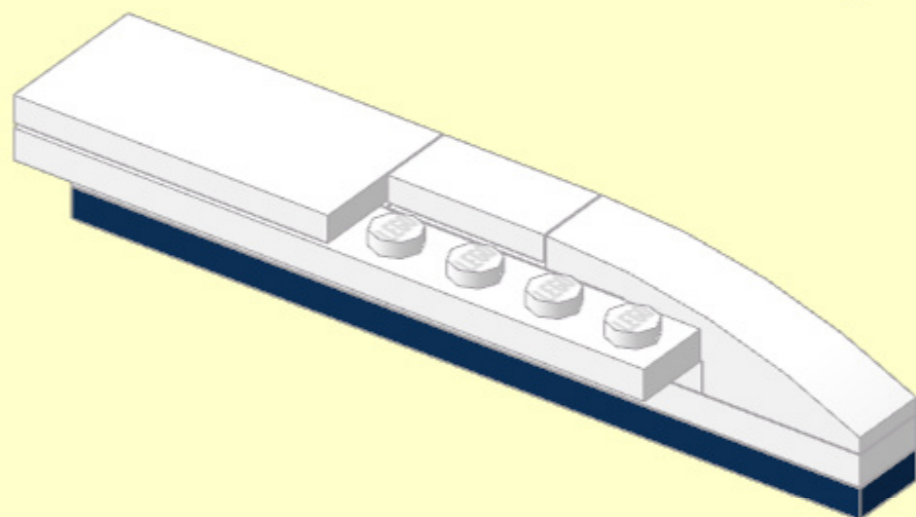
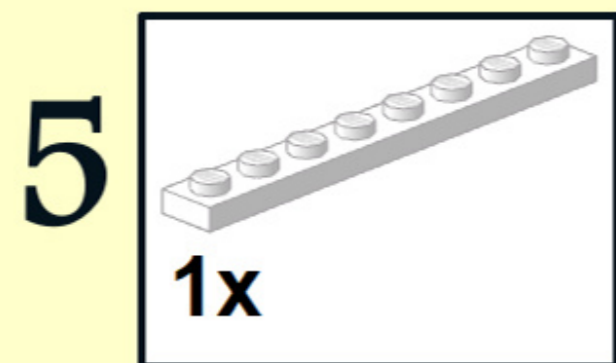
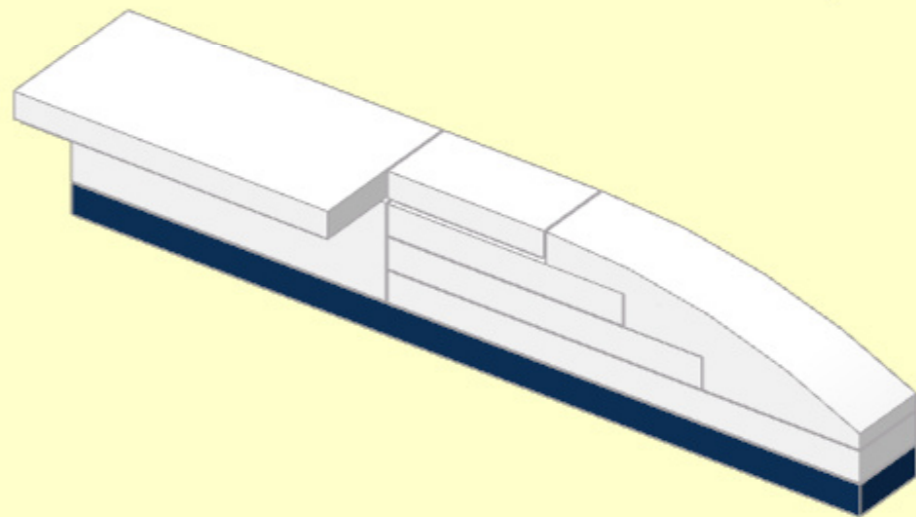
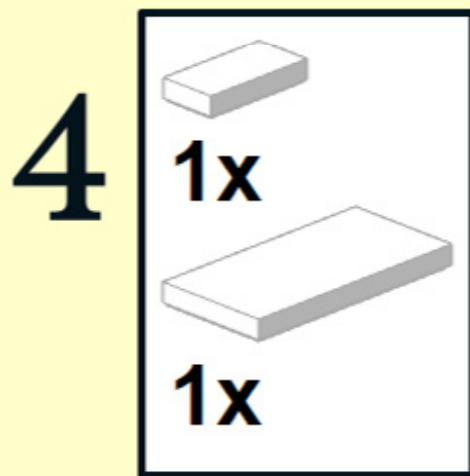
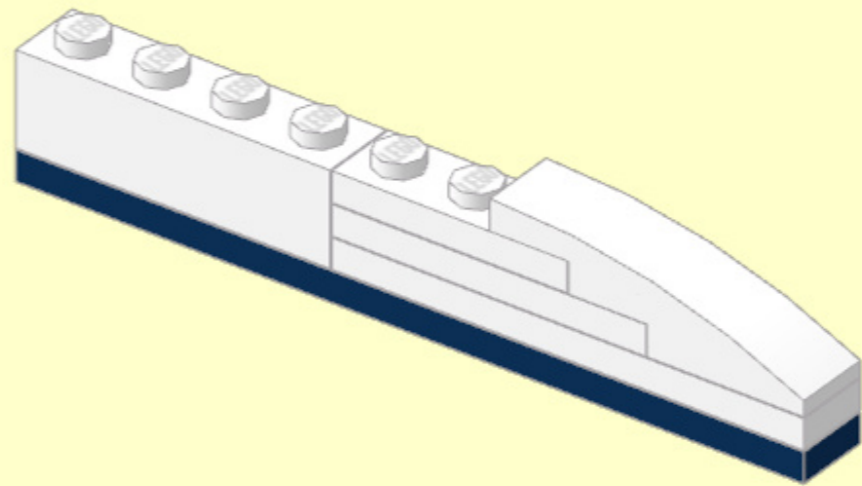
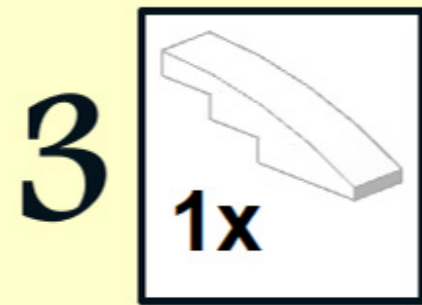
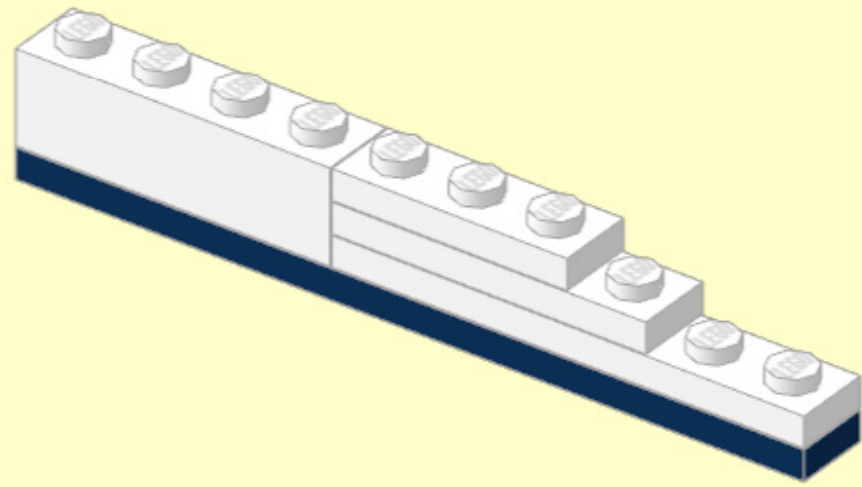
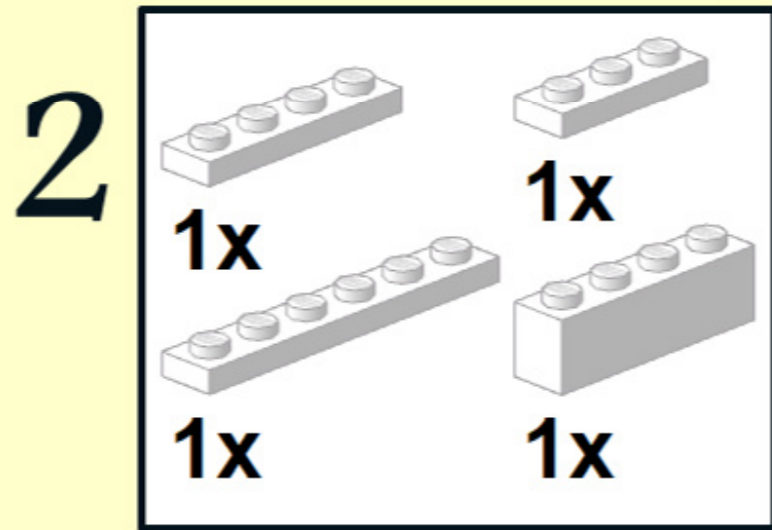
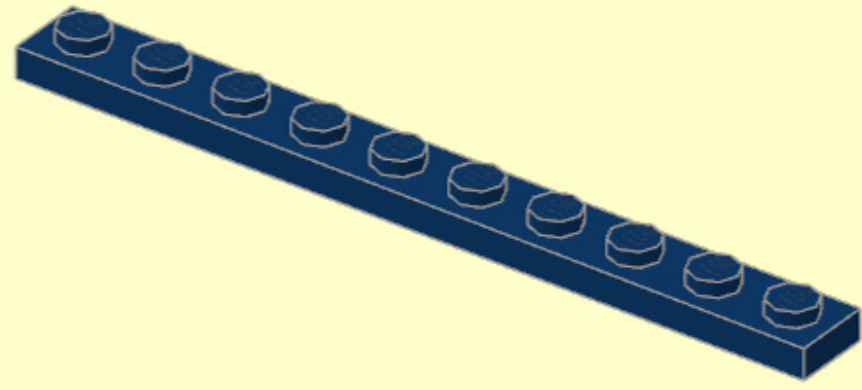
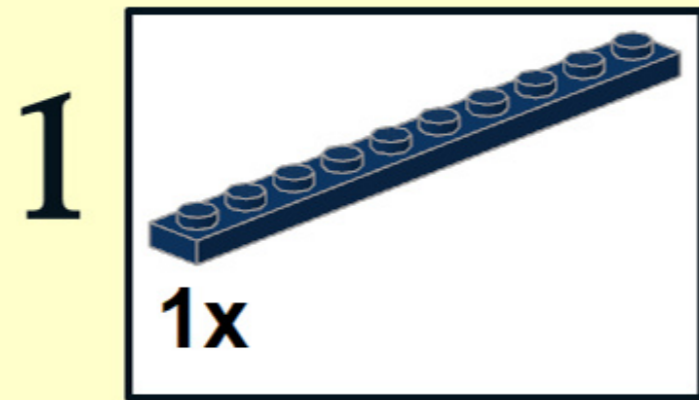


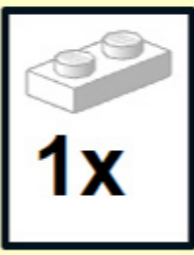
20

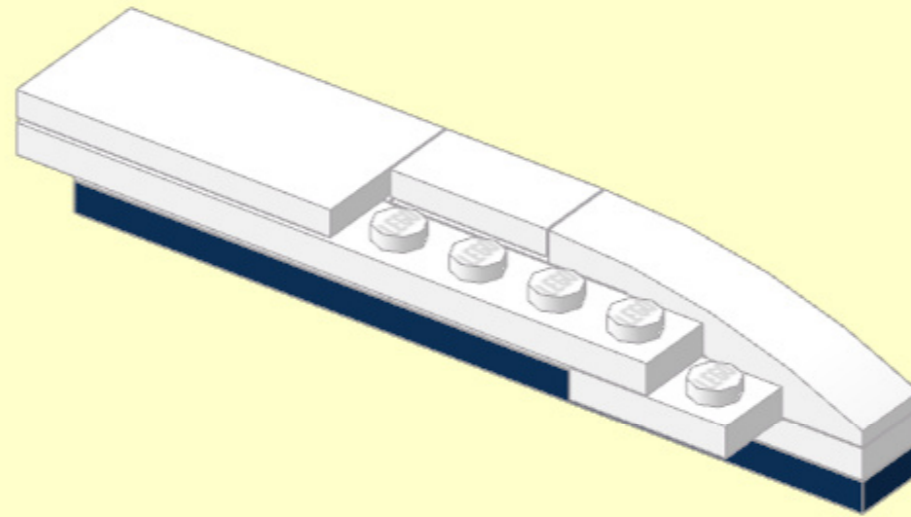


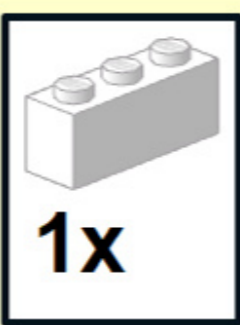
21

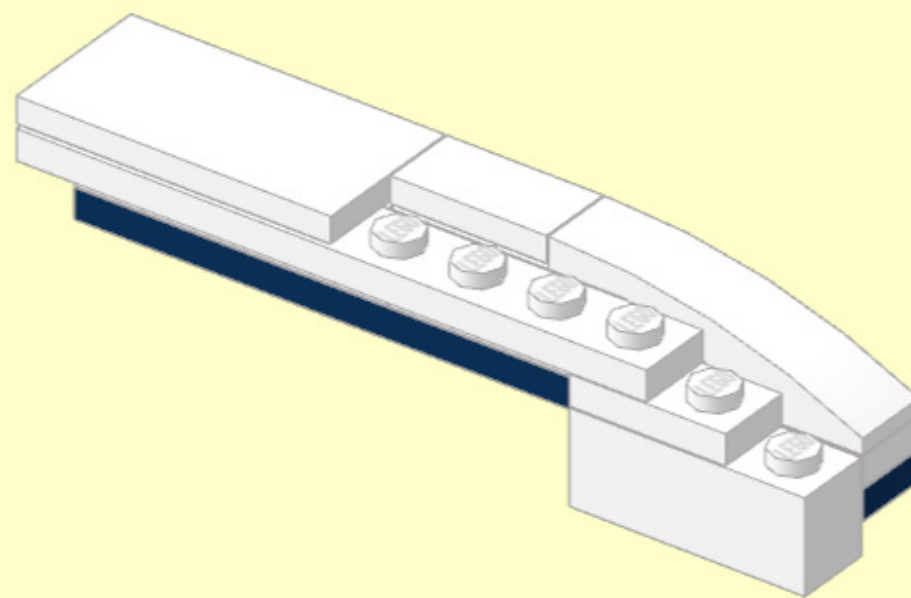


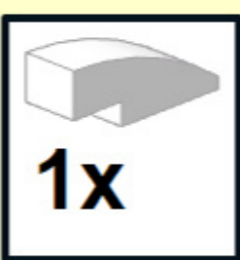


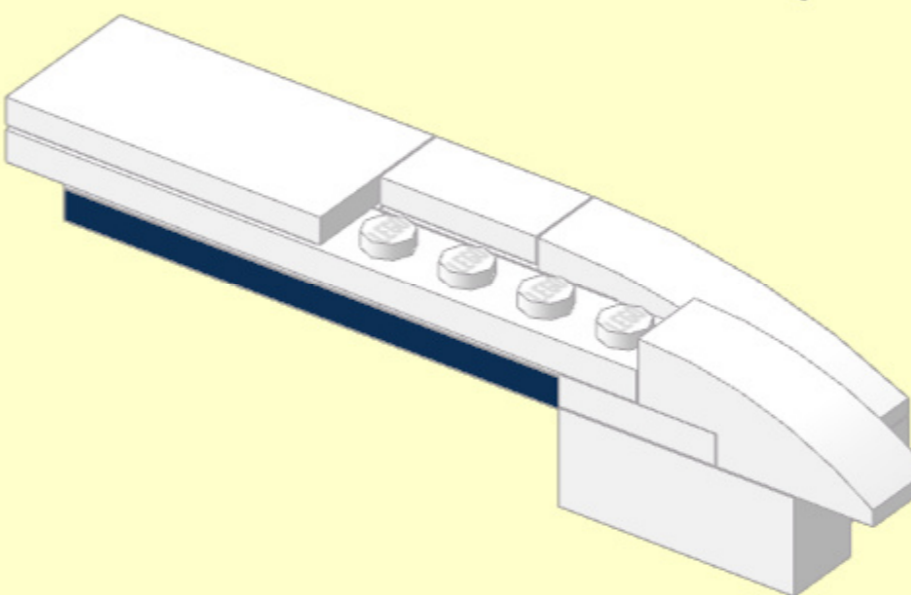
6  1x

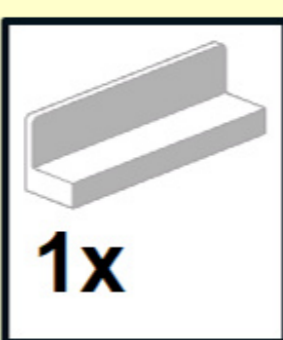


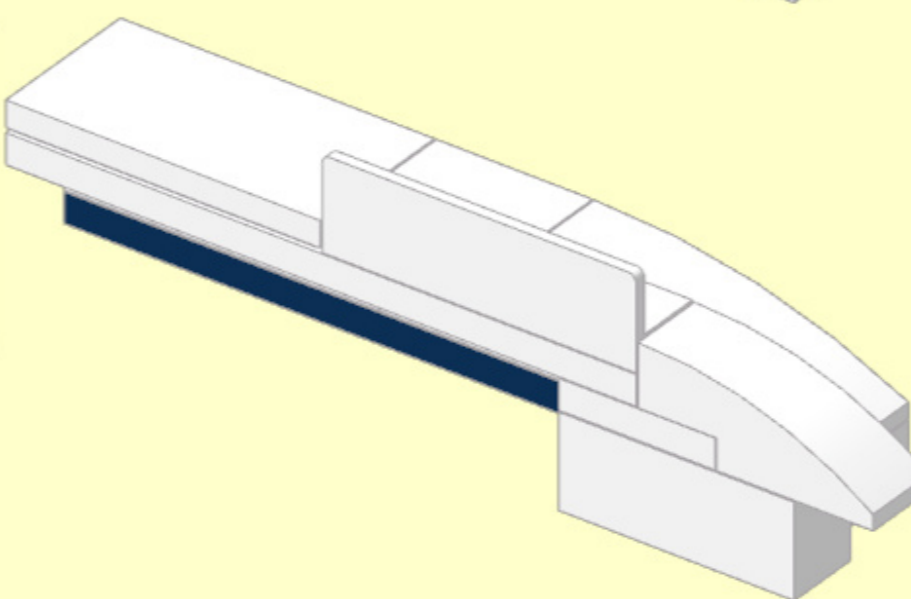
7  1x



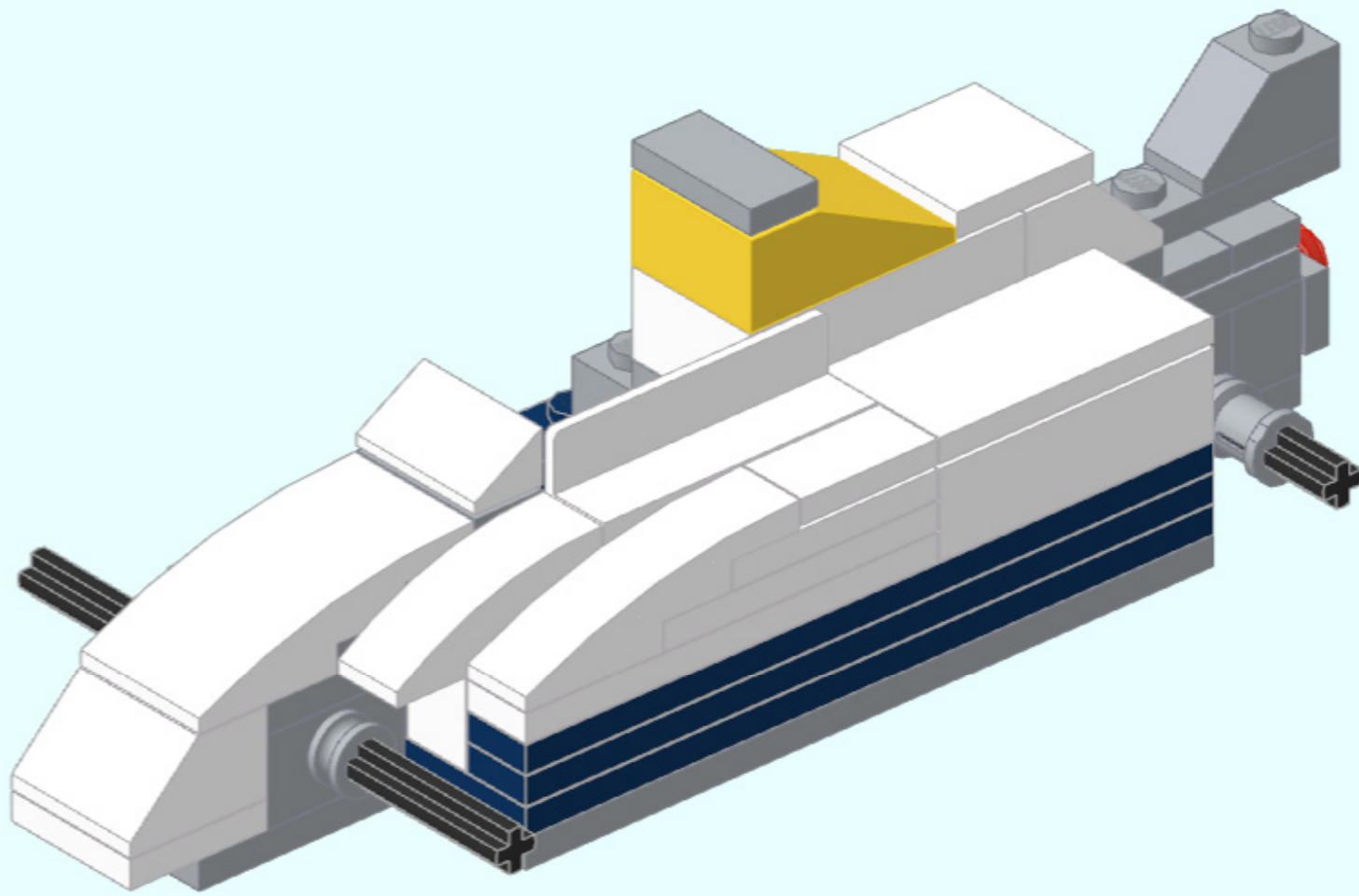
8  1x



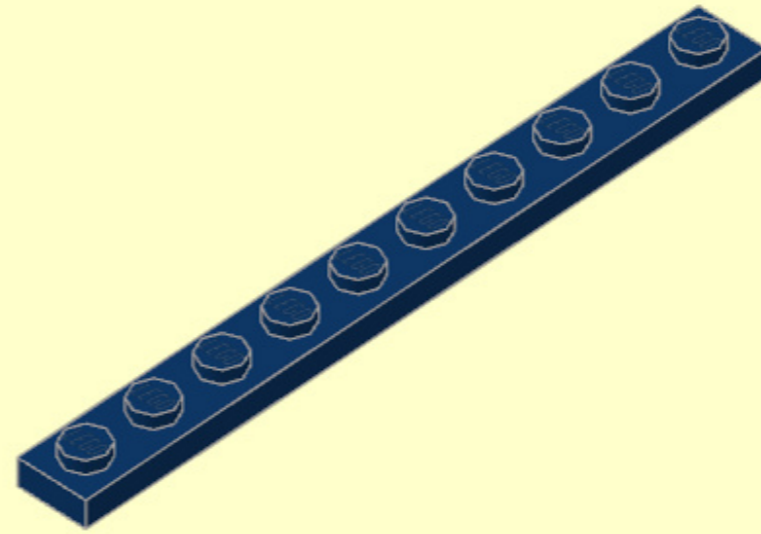
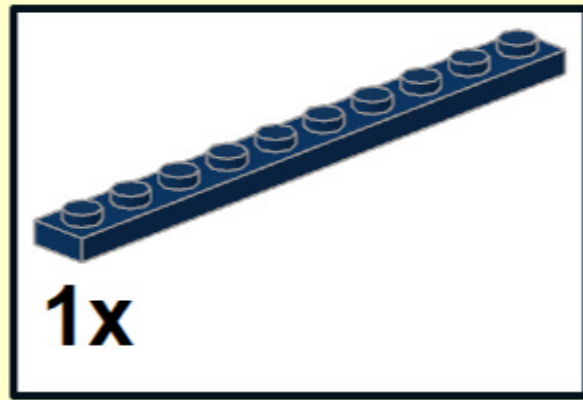
9  1x



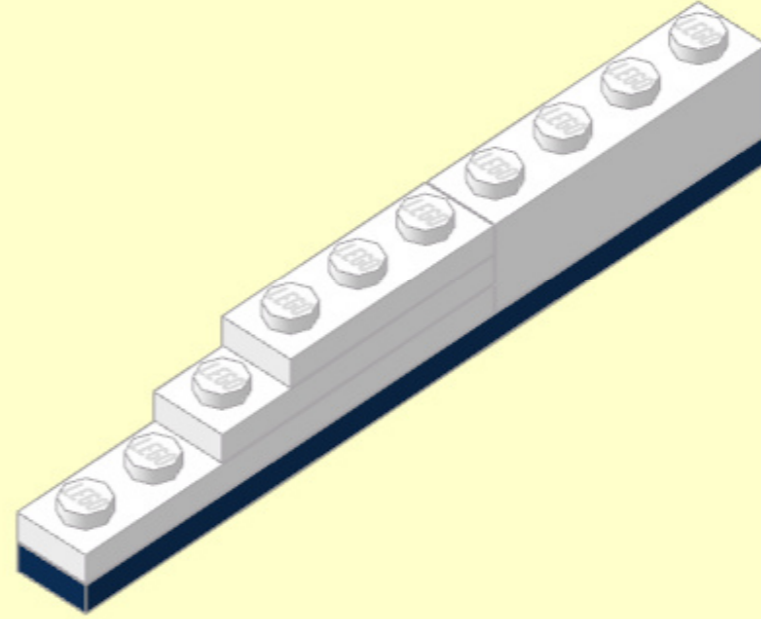
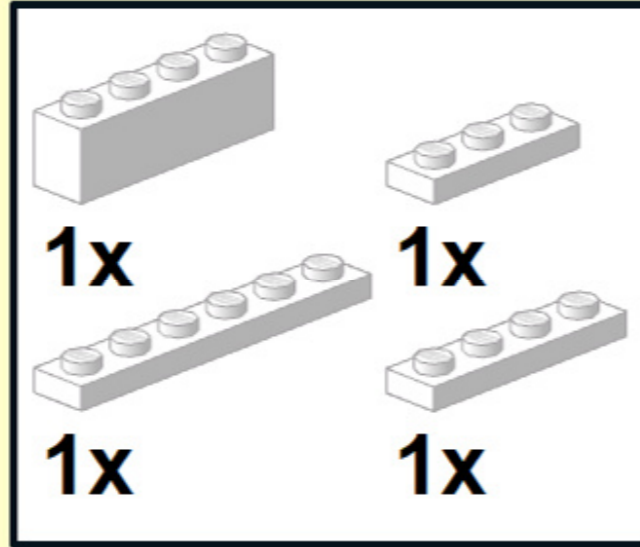
22



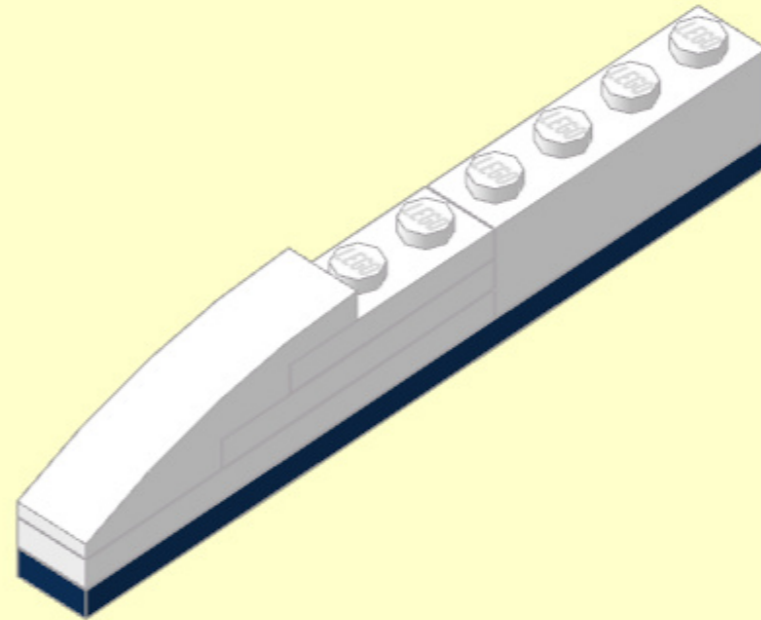
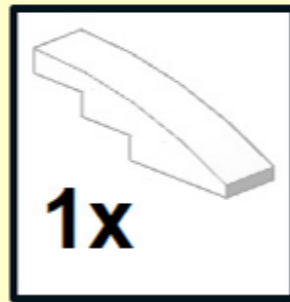
1



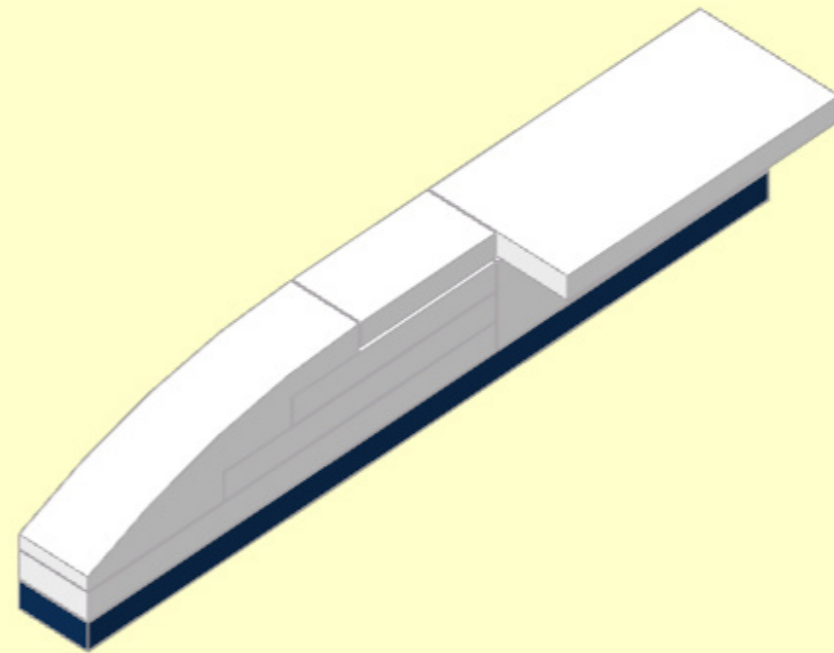
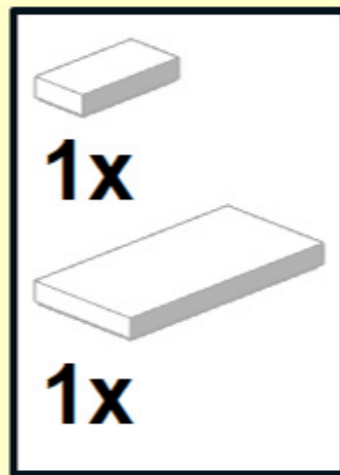
2



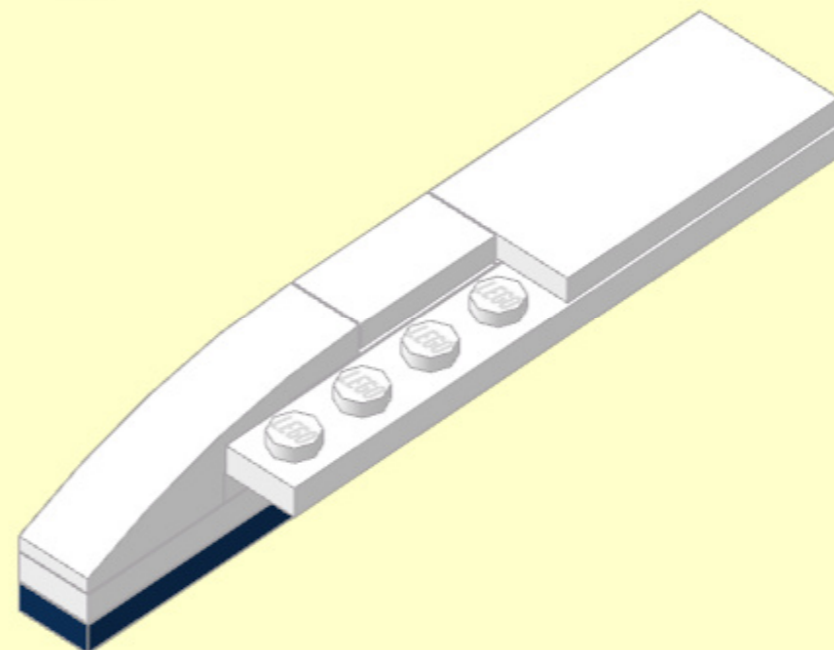
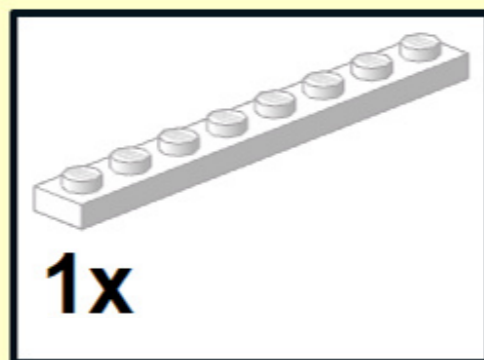
3

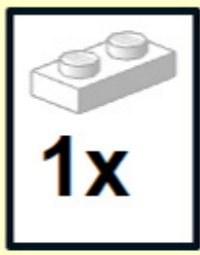


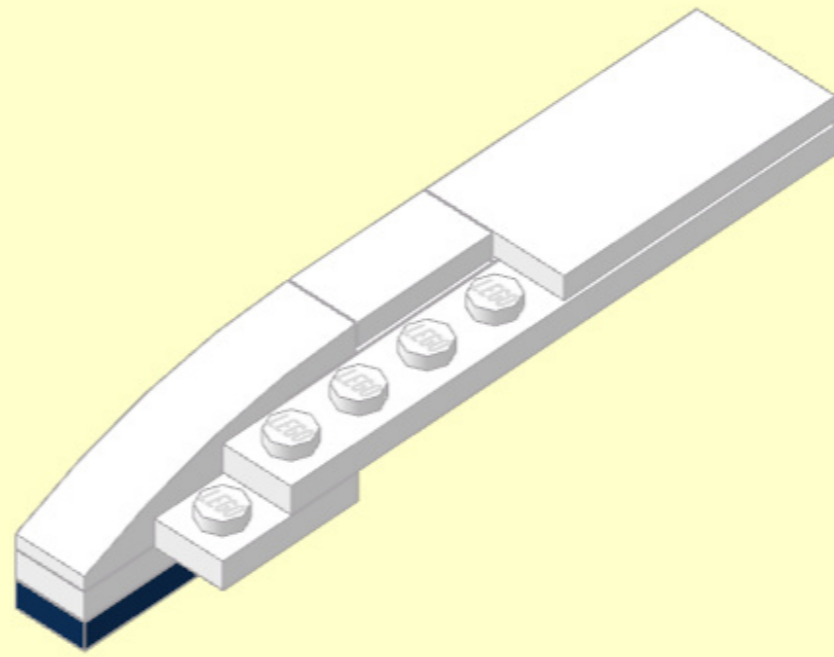
4

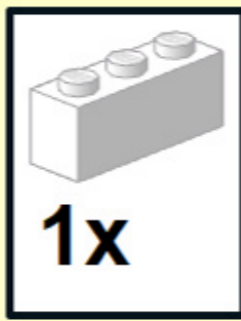


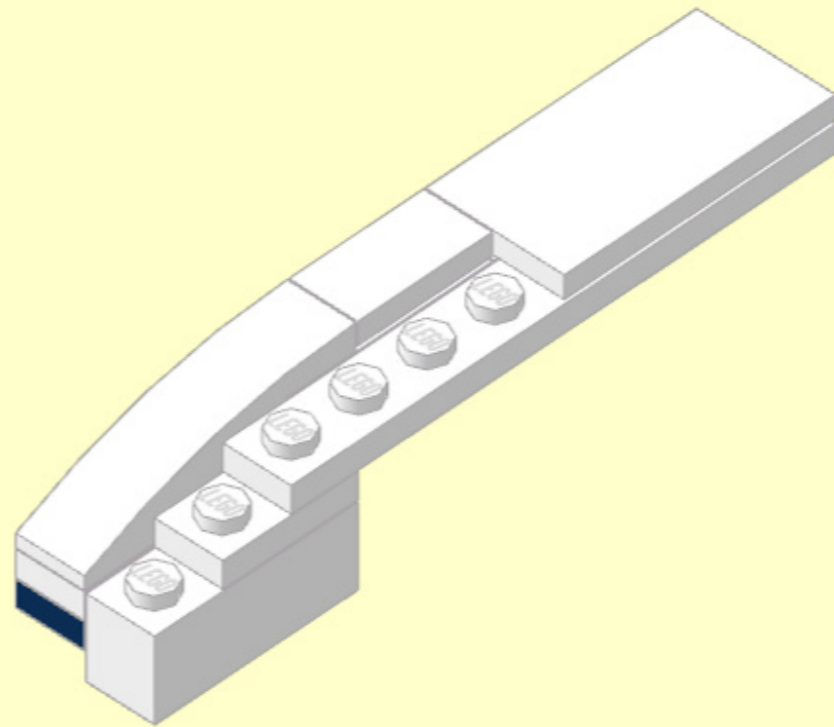
5




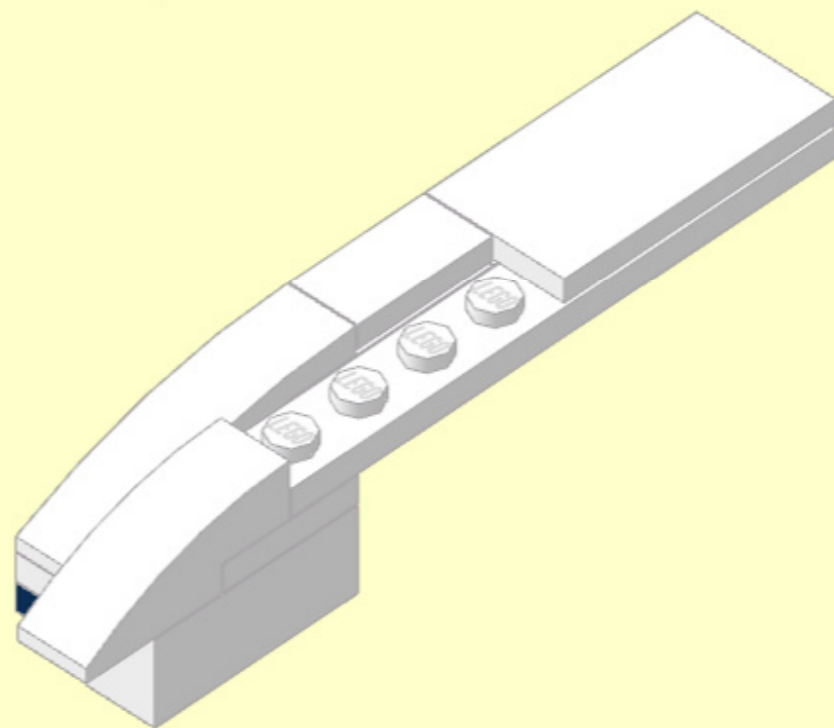
6  1x

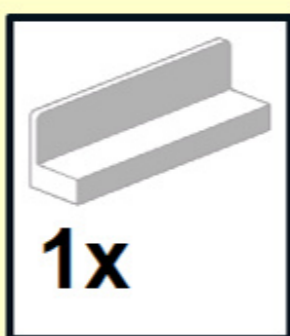


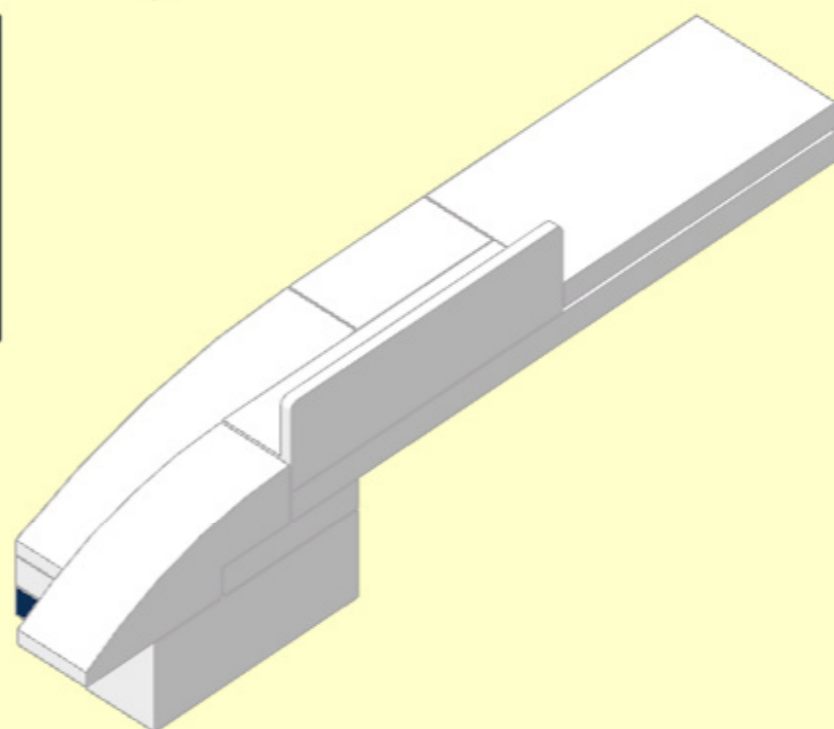
7  1x



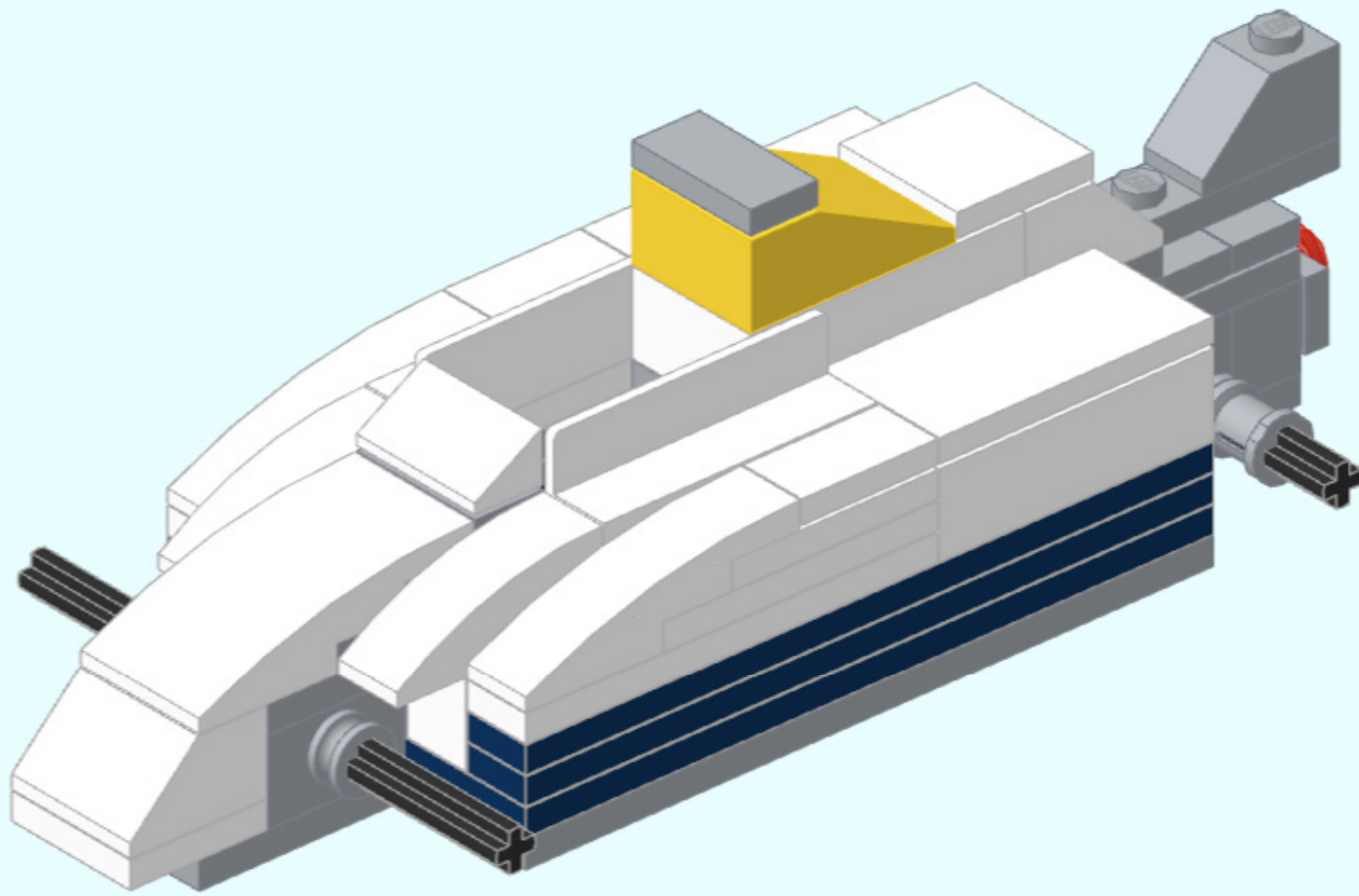
8  1x



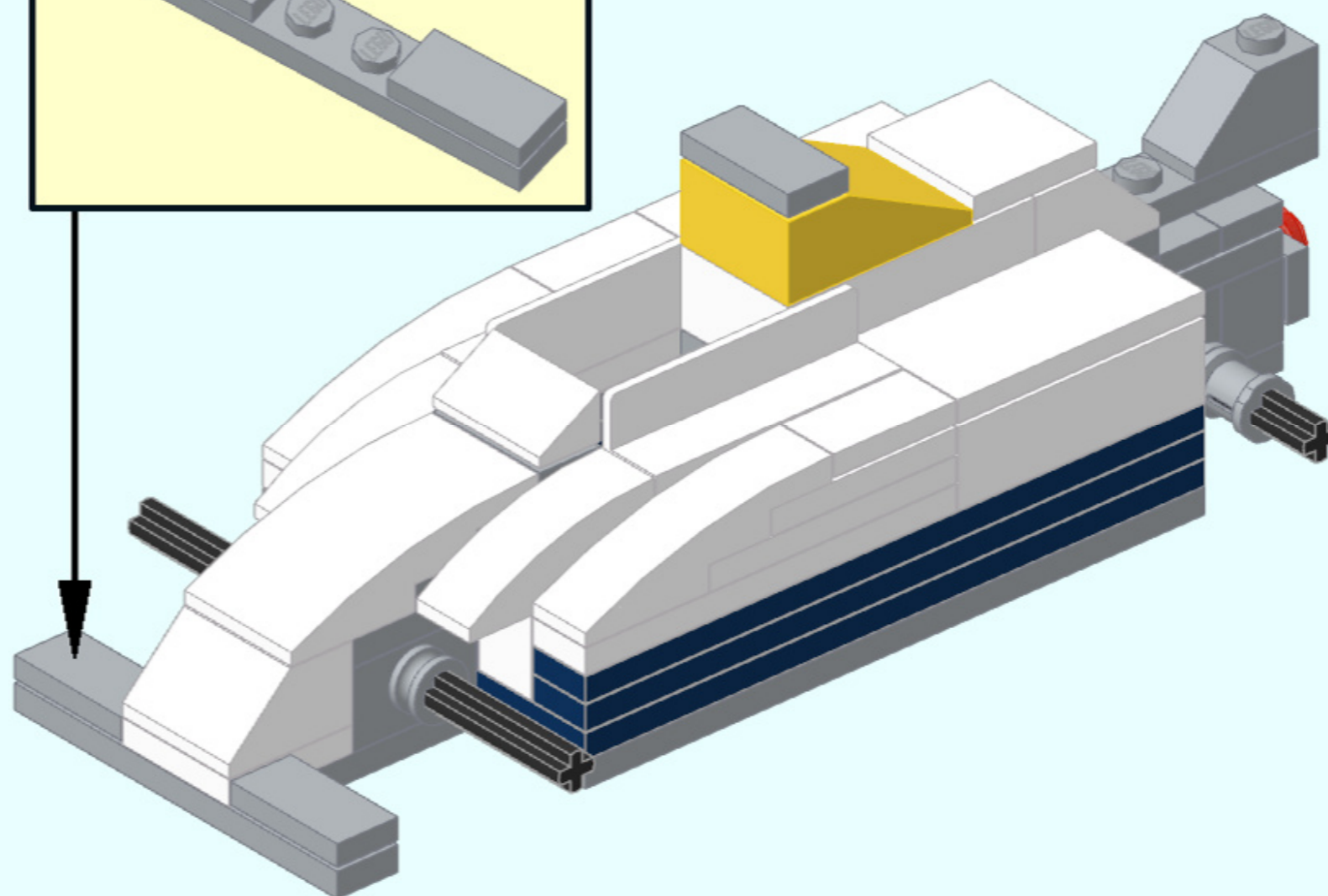
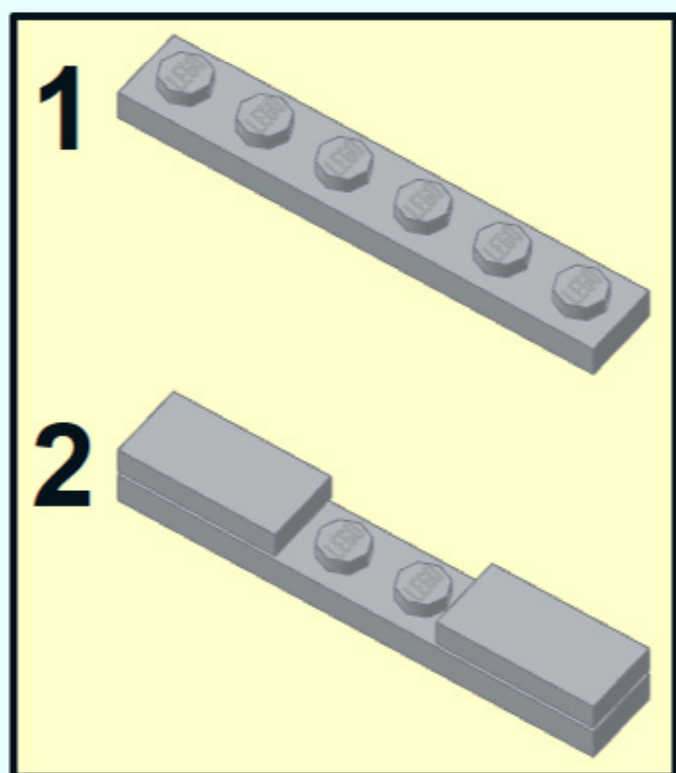
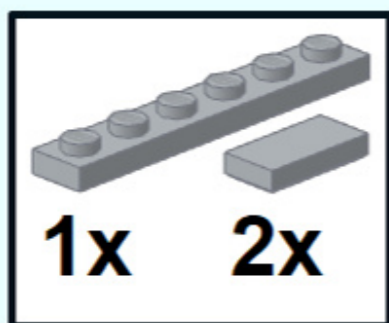
9  1x



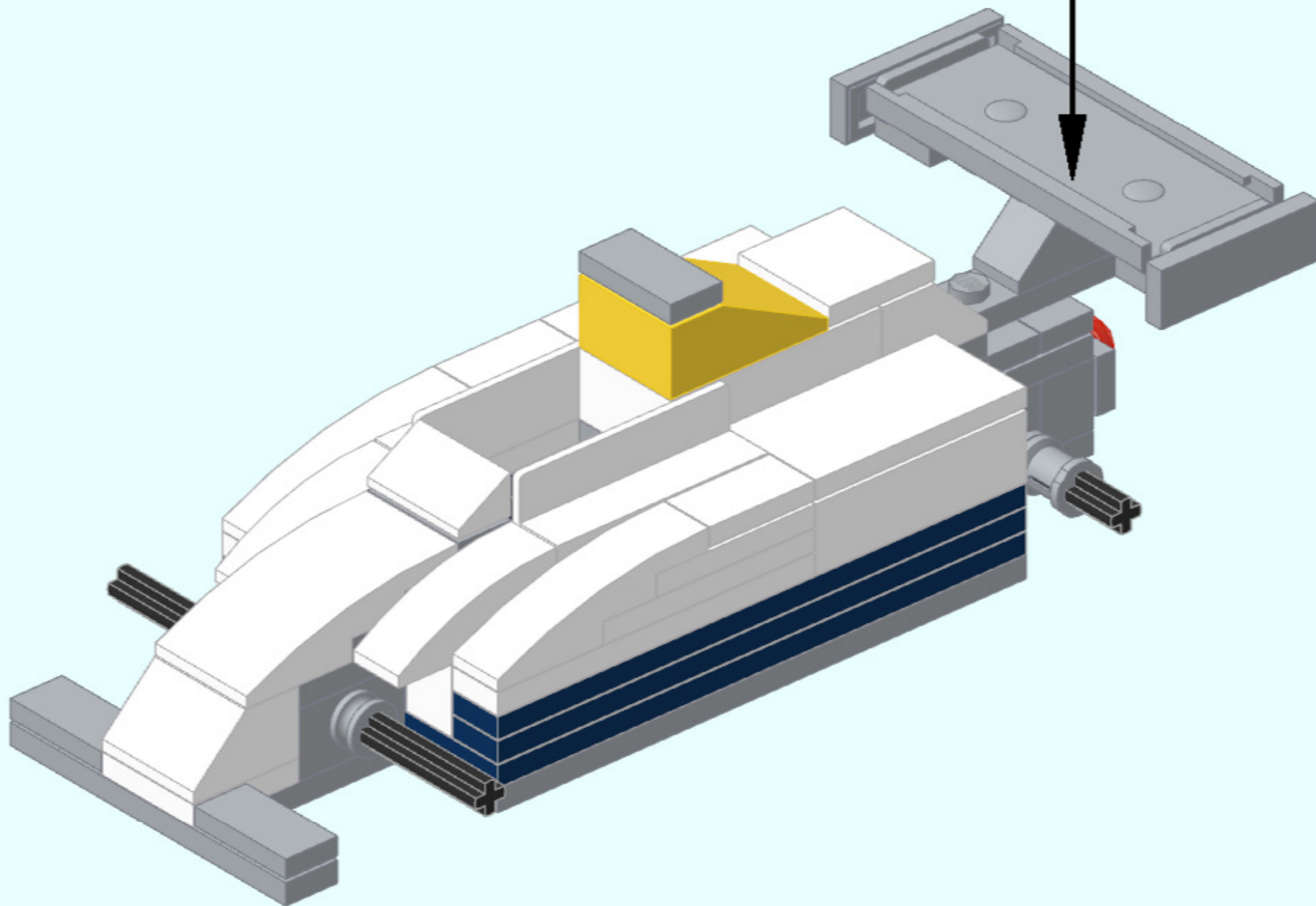
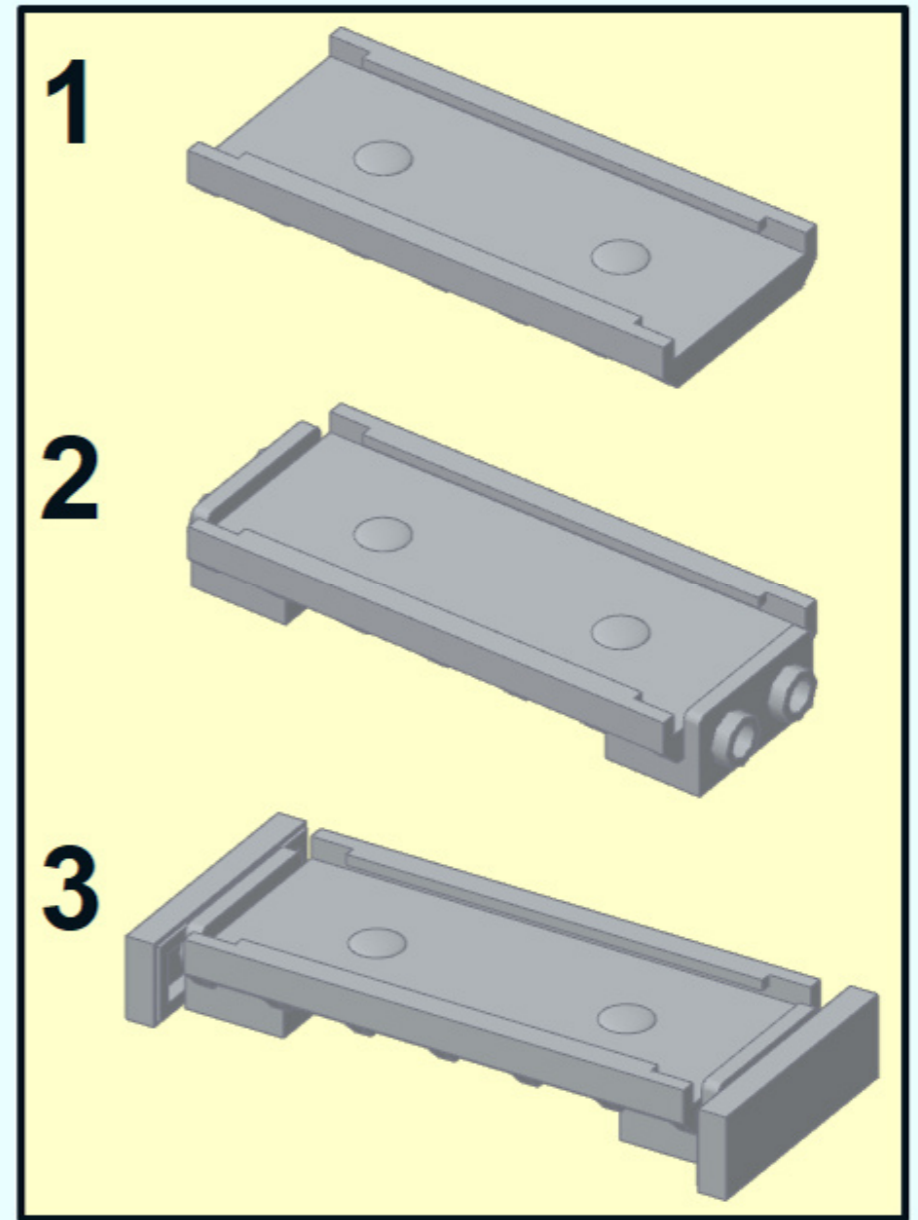
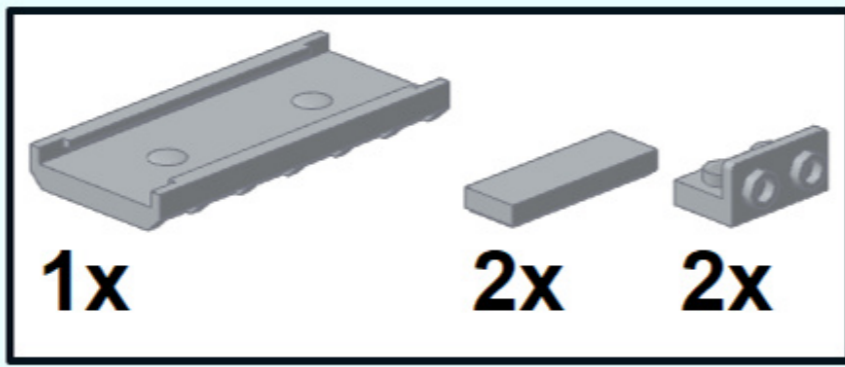
23



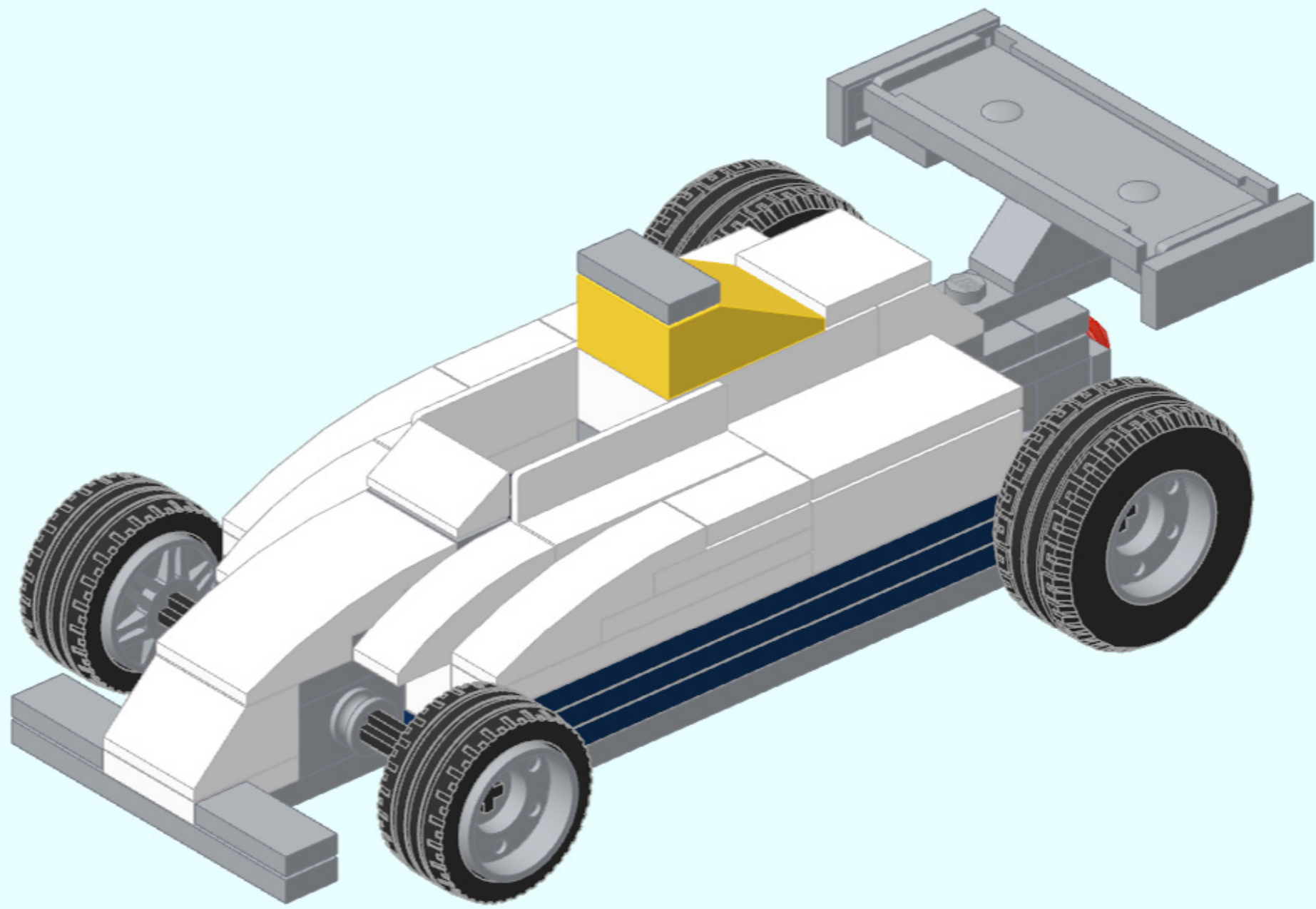
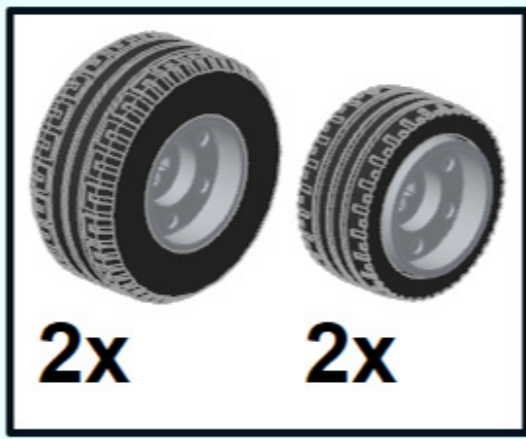
24



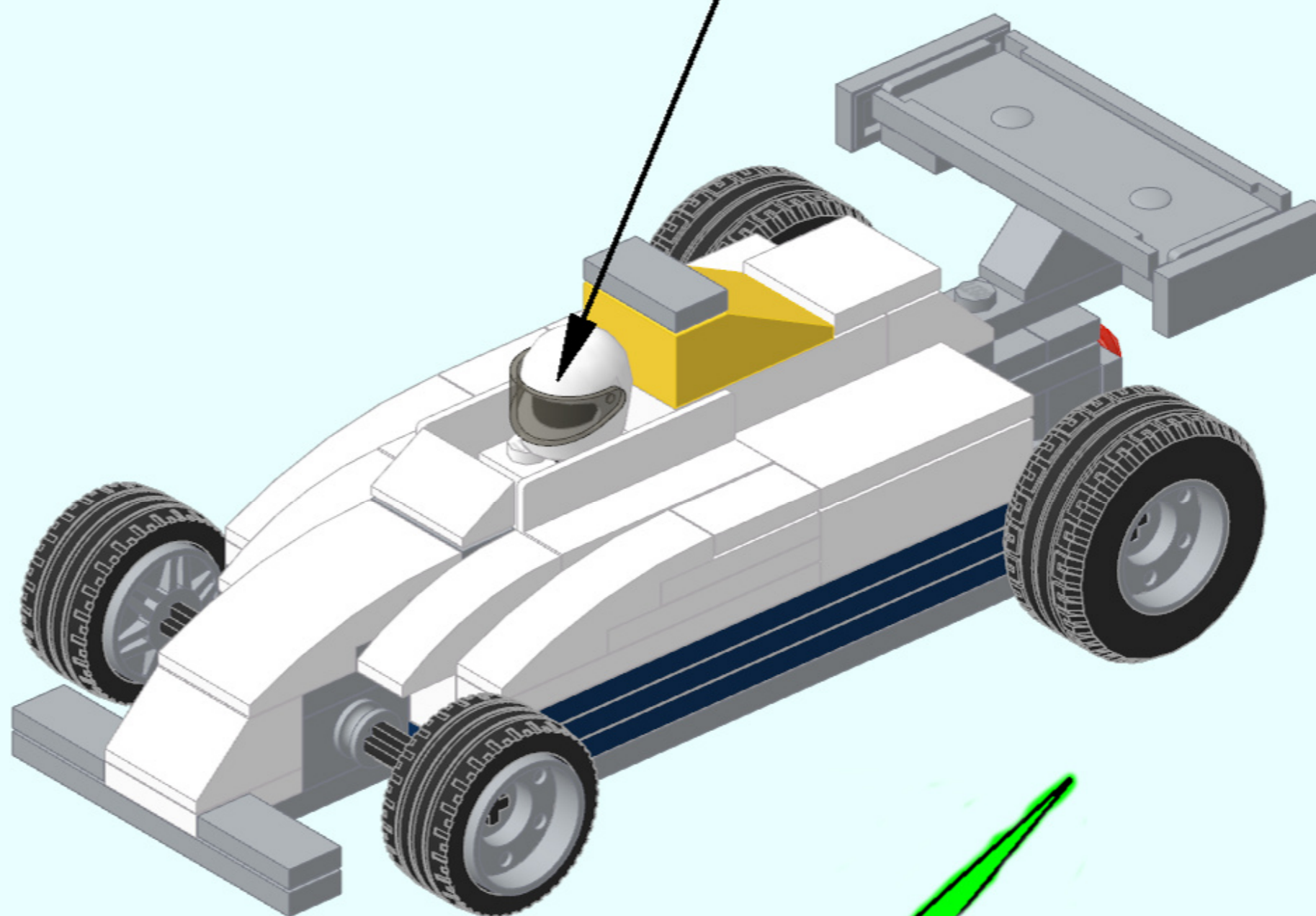
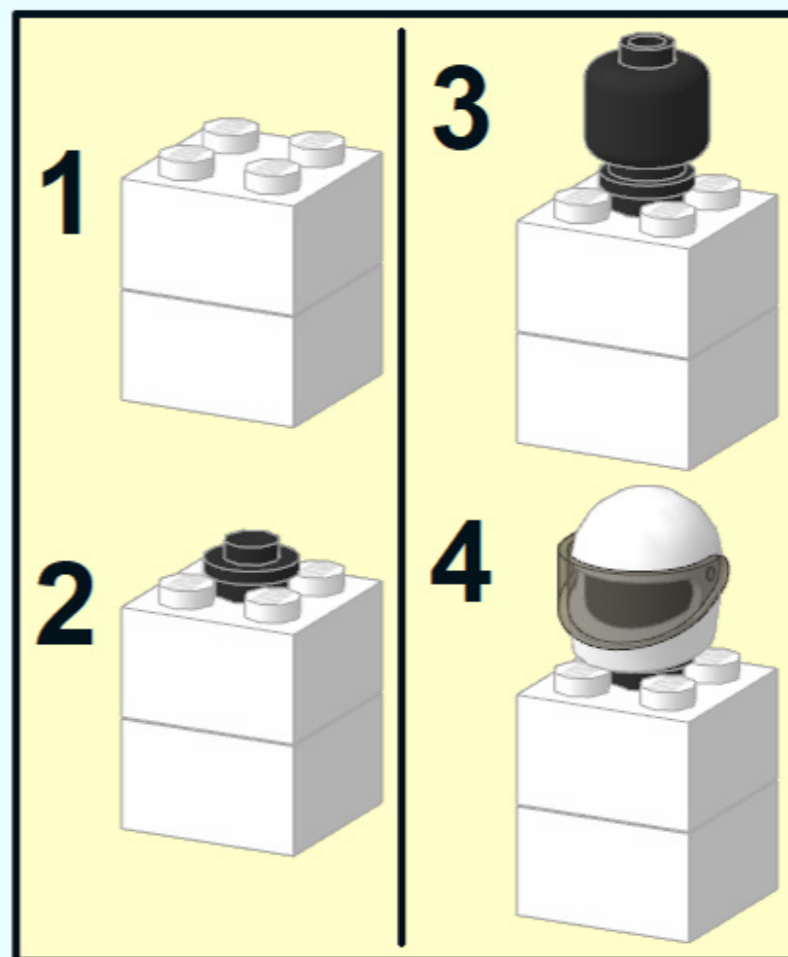
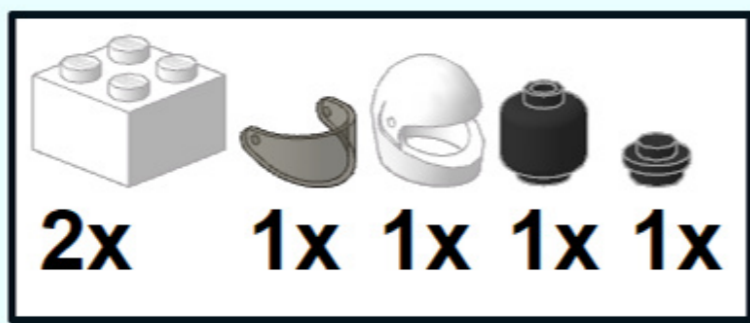
25



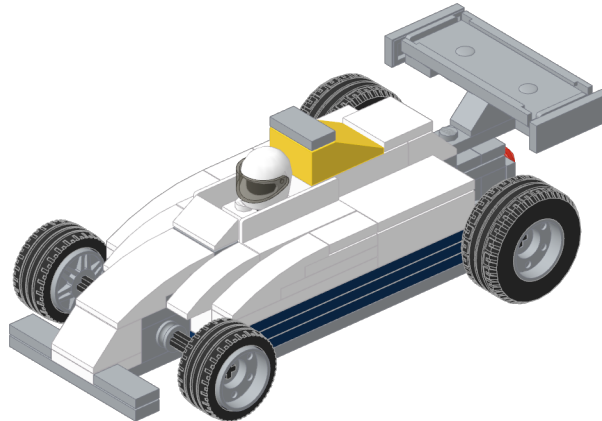
26



27



M821 Mini



Quantity	Color	Part ref.	Part name
2	Light_Bluish_Grey	99780	Bracket 1 x 2 - 1 x 2 Up
1	Light_Bluish_Grey	3004	Brick 1 x 2
1	Light_Bluish_Grey	11211	Brick 1 x 2 with Two Studs on One Side
2	White	3622	Brick 1 x 3
2	White	3010	Brick 1 x 4
1	Light_Bluish_Grey	3010	Brick 1 x 4
2	White	3003	Brick 2 x 2
1	Light_Bluish_Grey	3002	Brick 2 x 3
1	White	3001	Brick 2 x 4
1	Black	3829c01	Car Steering Stand and Wheel (Complete)
1	Light_Bluish_Grey	87913	Ladder Holder 2 x 6
1	Black	3626b	Minifig Head with Hollow Stud
1	White	2446	Minifig Helmet Modern
1	Trans_Black	2447	Minifig Helmet Visor
2	White	15207	Panel 1 x 4 x 1 with Rounded Corners
1	Black	6141	Plate 1 x 1 Round
1	Trans_Red	6141	Plate 1 x 1 Round
2	White	3023	Plate 1 x 2
1	Light_Bluish_Grey	3023	Plate 1 x 2
3	Light_Bluish_Grey	15573	Plate 1 x 2 with Groove with 1 Centre Stud
2	White	3623	Plate 1 x 3
1	Light_Bluish_Grey	3623	Plate 1 x 3
2	White	3710	Plate 1 x 4
1	Light_Bluish_Grey	3710	Plate 1 x 4
2	White	3666	Plate 1 x 6
1	Light_Bluish_Grey	3666	Plate 1 x 6
2	White	3460	Plate 1 x 8
2	Light_Bluish_Grey	4477	Plate 1 x 10
4	Dark_Blue	4477	Plate 1 x 10
1	White	3022	Plate 2 x 2
3	Light_Bluish_Grey	3022	Plate 2 x 2
1	Light_Bluish_Grey	3021	Plate 2 x 3
2	Light_Bluish_Grey	3020	Plate 2 x 4
1	Light_Bluish_Grey	3795	Plate 2 x 6
1	Light_Bluish_Grey	4282	Plate 2 x 16
1	Dark_Blue	3033	Plate 6 x 10
1	White	85984	Slope Brick 31 1 x 2 x 0.667
1	Yellow	3298	Slope Brick 33 3 x 2

1	Light_Bluish_Grey	3040b	Slope Brick 45	2 x 1
2	White	3039	Slope Brick 45	2 x 2
2	White	50950	Slope Brick Curved	3 x 1
2	White	61678	Slope Brick Curved	4 x 1
1	White	93606	Slope Brick Curved	4 x 2
2	Black	3707	Technic Axle	8
4	Light_Bluish_Grey	3700	Technic Brick	1 x 2 with Hole
2	Light_Bluish_Grey	32123b	Technic Bush 1/2	Smooth with Axle Hole
4	Light_Bluish_Grey	3713	Technic Bush with Two Flanges	
2	White	3069b	Tile	1 x 2 with Groove
3	Light_Bluish_Grey	3069b	Tile	1 x 2 with Groove
2	Light_Bluish_Grey	63864	Tile	1 x 3
1	White	3068b	Tile	2 x 2 with Groove
2	White	87079	Tile	2 x 4 with Groove
2	Black	18977	Tyre 11.2/ 28 x 17.6	Intermediate
2	Black	58090	Tyre 14/ 54 x 15	VR
4	Light_Bluish_Grey	55982	Wheel Rim	14 x 18 with Axlehole

LEGO® is a trademark of the LEGO Group of companies which does not sponsor, authorize or endorse this document.

Copyright: www.Greg998.com

M821 MINI XML Part List

```
<INVENTORY>
<ITEM>
  <ITEMID>18977</ITEMID>
  <ITEMTYPE>P</ITEMTYPE>
  <COLOR>11</COLOR>
  <MINQTY>2</MINQTY>
  <CONDITION>N</CONDITION>
</ITEM>
<ITEM>
  <ITEMID>3626b</ITEMID>
  <ITEMTYPE>P</ITEMTYPE>
  <COLOR>11</COLOR>
  <MINQTY>1</MINQTY>
  <CONDITION>N</CONDITION>
</ITEM>
<ITEM>
  <ITEMID>3707</ITEMID>
  <ITEMTYPE>P</ITEMTYPE>
  <COLOR>11</COLOR>
  <MINQTY>2</MINQTY>
  <CONDITION>N</CONDITION>
</ITEM>
<ITEM>
  <ITEMID>3829c01</ITEMID>
  <ITEMTYPE>P</ITEMTYPE>
  <COLOR>11</COLOR>
  <MINQTY>1</MINQTY>
  <CONDITION>N</CONDITION>
</ITEM>
<ITEM>
  <ITEMID>4073</ITEMID>
  <ITEMTYPE>P</ITEMTYPE>
  <COLOR>11</COLOR>
  <MINQTY>1</MINQTY>
  <CONDITION>N</CONDITION>
</ITEM>
<ITEM>
  <ITEMID>58090</ITEMID>
  <ITEMTYPE>P</ITEMTYPE>
  <COLOR>11</COLOR>
  <MINQTY>2</MINQTY>
  <CONDITION>N</CONDITION>
</ITEM>
<ITEM>
  <ITEMID>3033</ITEMID>
  <ITEMTYPE>P</ITEMTYPE>
  <COLOR>63</COLOR>
  <MINQTY>1</MINQTY>
  <CONDITION>N</CONDITION>
</ITEM>
<ITEM>
  <ITEMID>4477</ITEMID>
  <ITEMTYPE>P</ITEMTYPE>
  <COLOR>63</COLOR>
  <MINQTY>4</MINQTY>
  <CONDITION>N</CONDITION>
</ITEM>
```

<ITEM>
<ITEMID>11211</ITEMID>
<ITEMTYPE>P</ITEMTYPE>
<COLOR>86</COLOR>
<MINQTY>1</MINQTY>
<CONDITION>N</CONDITION>
</ITEM>
<ITEM>
<ITEMID>15573</ITEMID>
<ITEMTYPE>P</ITEMTYPE>
<COLOR>86</COLOR>
<MINQTY>3</MINQTY>
<CONDITION>N</CONDITION>
</ITEM>
<ITEM>
<ITEMID>3002</ITEMID>
<ITEMTYPE>P</ITEMTYPE>
<COLOR>86</COLOR>
<MINQTY>1</MINQTY>
<CONDITION>N</CONDITION>
</ITEM>
<ITEM>
<ITEMID>3004</ITEMID>
<ITEMTYPE>P</ITEMTYPE>
<COLOR>86</COLOR>
<MINQTY>1</MINQTY>
<CONDITION>N</CONDITION>
</ITEM>
<ITEM>
<ITEMID>3010</ITEMID>
<ITEMTYPE>P</ITEMTYPE>
<COLOR>86</COLOR>
<MINQTY>1</MINQTY>
<CONDITION>N</CONDITION>
</ITEM>
<ITEM>
<ITEMID>3020</ITEMID>
<ITEMTYPE>P</ITEMTYPE>
<COLOR>86</COLOR>
<MINQTY>2</MINQTY>
<CONDITION>N</CONDITION>
</ITEM>
<ITEM>
<ITEMID>3021</ITEMID>
<ITEMTYPE>P</ITEMTYPE>
<COLOR>86</COLOR>
<MINQTY>1</MINQTY>
<CONDITION>N</CONDITION>
</ITEM>
<ITEM>
<ITEMID>3022</ITEMID>
<ITEMTYPE>P</ITEMTYPE>
<COLOR>86</COLOR>
<MINQTY>3</MINQTY>
<CONDITION>N</CONDITION>
</ITEM>
<ITEM>
<ITEMID>3023</ITEMID>
<ITEMTYPE>P</ITEMTYPE>
<COLOR>86</COLOR>
<MINQTY>1</MINQTY>
<CONDITION>N</CONDITION>
</ITEM>

<ITEM>
<ITEMID>3040</ITEMID>
<ITEMTYPE>P</ITEMTYPE>
<COLOR>86</COLOR>
<MINQTY>1</MINQTY>
<CONDITION>N</CONDITION>
</ITEM>
<ITEM>
<ITEMID>3069b</ITEMID>
<ITEMTYPE>P</ITEMTYPE>
<COLOR>86</COLOR>
<MINQTY>3</MINQTY>
<CONDITION>N</CONDITION>
</ITEM>
<ITEM>
<ITEMID>3623</ITEMID>
<ITEMTYPE>P</ITEMTYPE>
<COLOR>86</COLOR>
<MINQTY>1</MINQTY>
<CONDITION>N</CONDITION>
</ITEM>
<ITEM>
<ITEMID>3666</ITEMID>
<ITEMTYPE>P</ITEMTYPE>
<COLOR>86</COLOR>
<MINQTY>1</MINQTY>
<CONDITION>N</CONDITION>
</ITEM>
<ITEM>
<ITEMID>3700</ITEMID>
<ITEMTYPE>P</ITEMTYPE>
<COLOR>86</COLOR>
<MINQTY>4</MINQTY>
<CONDITION>N</CONDITION>
</ITEM>
<ITEM>
<ITEMID>3710</ITEMID>
<ITEMTYPE>P</ITEMTYPE>
<COLOR>86</COLOR>
<MINQTY>1</MINQTY>
<CONDITION>N</CONDITION>
</ITEM>
<ITEM>
<ITEMID>3713</ITEMID>
<ITEMTYPE>P</ITEMTYPE>
<COLOR>86</COLOR>
<MINQTY>4</MINQTY>
<CONDITION>N</CONDITION>
</ITEM>
<ITEM>
<ITEMID>3795</ITEMID>
<ITEMTYPE>P</ITEMTYPE>
<COLOR>86</COLOR>
<MINQTY>1</MINQTY>
<CONDITION>N</CONDITION>
</ITEM>
<ITEM>
<ITEMID>4265c</ITEMID>
<ITEMTYPE>P</ITEMTYPE>
<COLOR>86</COLOR>
<MINQTY>2</MINQTY>
<CONDITION>N</CONDITION>
</ITEM>

<ITEM>
<ITEMID>4282</ITEMID>
<ITEMTYPE>P</ITEMTYPE>
<COLOR>86</COLOR>
<MINQTY>1</MINQTY>
<CONDITION>N</CONDITION>
</ITEM>
<ITEM>
<ITEMID>4477</ITEMID>
<ITEMTYPE>P</ITEMTYPE>
<COLOR>86</COLOR>
<MINQTY>2</MINQTY>
<CONDITION>N</CONDITION>
</ITEM>
<ITEM>
<ITEMID>55982</ITEMID>
<ITEMTYPE>P</ITEMTYPE>
<COLOR>86</COLOR>
<MINQTY>4</MINQTY>
<CONDITION>N</CONDITION>
</ITEM>
<ITEM>
<ITEMID>63864</ITEMID>
<ITEMTYPE>P</ITEMTYPE>
<COLOR>86</COLOR>
<MINQTY>2</MINQTY>
<CONDITION>N</CONDITION>
</ITEM>
<ITEM>
<ITEMID>87913</ITEMID>
<ITEMTYPE>P</ITEMTYPE>
<COLOR>86</COLOR>
<MINQTY>1</MINQTY>
<CONDITION>N</CONDITION>
</ITEM>
<ITEM>
<ITEMID>99780</ITEMID>
<ITEMTYPE>P</ITEMTYPE>
<COLOR>86</COLOR>
<MINQTY>2</MINQTY>
<CONDITION>N</CONDITION>
</ITEM>
<ITEM>
<ITEMID>2447</ITEMID>
<ITEMTYPE>P</ITEMTYPE>
<COLOR>13</COLOR>
<MINQTY>1</MINQTY>
<CONDITION>N</CONDITION>
</ITEM>
<ITEM>
<ITEMID>4073</ITEMID>
<ITEMTYPE>P</ITEMTYPE>
<COLOR>17</COLOR>
<MINQTY>1</MINQTY>
<CONDITION>N</CONDITION>
</ITEM>
<ITEM>
<ITEMID>2446</ITEMID>
<ITEMTYPE>P</ITEMTYPE>
<COLOR>1</COLOR>
<MINQTY>1</MINQTY>
<CONDITION>N</CONDITION>
</ITEM>

<ITEM>
<ITEMID>3001</ITEMID>
<ITEMTYPE>P</ITEMTYPE>
<COLOR>1</COLOR>
<MINQTY>1</MINQTY>
<CONDITION>N</CONDITION>
</ITEM>
<ITEM>
<ITEMID>3003</ITEMID>
<ITEMTYPE>P</ITEMTYPE>
<COLOR>1</COLOR>
<MINQTY>2</MINQTY>
<CONDITION>N</CONDITION>
</ITEM>
<ITEM>
<ITEMID>3010</ITEMID>
<ITEMTYPE>P</ITEMTYPE>
<COLOR>1</COLOR>
<MINQTY>2</MINQTY>
<CONDITION>N</CONDITION>
</ITEM>
<ITEM>
<ITEMID>3022</ITEMID>
<ITEMTYPE>P</ITEMTYPE>
<COLOR>1</COLOR>
<MINQTY>1</MINQTY>
<CONDITION>N</CONDITION>
</ITEM>
<ITEM>
<ITEMID>3023</ITEMID>
<ITEMTYPE>P</ITEMTYPE>
<COLOR>1</COLOR>
<MINQTY>2</MINQTY>
<CONDITION>N</CONDITION>
</ITEM>
<ITEM>
<ITEMID>3039</ITEMID>
<ITEMTYPE>P</ITEMTYPE>
<COLOR>1</COLOR>
<MINQTY>2</MINQTY>
<CONDITION>N</CONDITION>
</ITEM>
<ITEM>
<ITEMID>30413</ITEMID>
<ITEMTYPE>P</ITEMTYPE>
<COLOR>1</COLOR>
<MINQTY>2</MINQTY>
<CONDITION>N</CONDITION>
</ITEM>
<ITEM>
<ITEMID>3068b</ITEMID>
<ITEMTYPE>P</ITEMTYPE>
<COLOR>1</COLOR>
<MINQTY>1</MINQTY>
<CONDITION>N</CONDITION>
</ITEM>
<ITEM>
<ITEMID>3069b</ITEMID>
<ITEMTYPE>P</ITEMTYPE>
<COLOR>1</COLOR>
<MINQTY>2</MINQTY>
<CONDITION>N</CONDITION>
</ITEM>

<ITEM>
<ITEMID>3460</ITEMID>
<ITEMTYPE>P</ITEMTYPE>
<COLOR>1</COLOR>
<MINQTY>2</MINQTY>
<CONDITION>N</CONDITION>
</ITEM>
<ITEM>
<ITEMID>3622</ITEMID>
<ITEMTYPE>P</ITEMTYPE>
<COLOR>1</COLOR>
<MINQTY>2</MINQTY>
<CONDITION>N</CONDITION>
</ITEM>
<ITEM>
<ITEMID>3623</ITEMID>
<ITEMTYPE>P</ITEMTYPE>
<COLOR>1</COLOR>
<MINQTY>2</MINQTY>
<CONDITION>N</CONDITION>
</ITEM>
<ITEM>
<ITEMID>3666</ITEMID>
<ITEMTYPE>P</ITEMTYPE>
<COLOR>1</COLOR>
<MINQTY>2</MINQTY>
<CONDITION>N</CONDITION>
</ITEM>
<ITEM>
<ITEMID>3710</ITEMID>
<ITEMTYPE>P</ITEMTYPE>
<COLOR>1</COLOR>
<MINQTY>2</MINQTY>
<CONDITION>N</CONDITION>
</ITEM>
<ITEM>
<ITEMID>50950</ITEMID>
<ITEMTYPE>P</ITEMTYPE>
<COLOR>1</COLOR>
<MINQTY>2</MINQTY>
<CONDITION>N</CONDITION>
</ITEM>
<ITEM>
<ITEMID>61678</ITEMID>
<ITEMTYPE>P</ITEMTYPE>
<COLOR>1</COLOR>
<MINQTY>2</MINQTY>
<CONDITION>N</CONDITION>
</ITEM>
<ITEM>
<ITEMID>85984</ITEMID>
<ITEMTYPE>P</ITEMTYPE>
<COLOR>1</COLOR>
<MINQTY>1</MINQTY>
<CONDITION>N</CONDITION>
</ITEM>
<ITEM>
<ITEMID>87079</ITEMID>
<ITEMTYPE>P</ITEMTYPE>
<COLOR>1</COLOR>
<MINQTY>2</MINQTY>
<CONDITION>N</CONDITION>
</ITEM>

<ITEM>
<ITEMID>93606</ITEMID>
<ITEMTYPE>P</ITEMTYPE>
<COLOR>1</COLOR>
<MINQTY>1</MINQTY>
<CONDITION>N</CONDITION>
</ITEM>
<ITEM>
<ITEMID>3298</ITEMID>
<ITEMTYPE>P</ITEMTYPE>
<COLOR>3</COLOR>
<MINQTY>1</MINQTY>
<CONDITION>N</CONDITION>
</ITEM>
</INVENTORY>